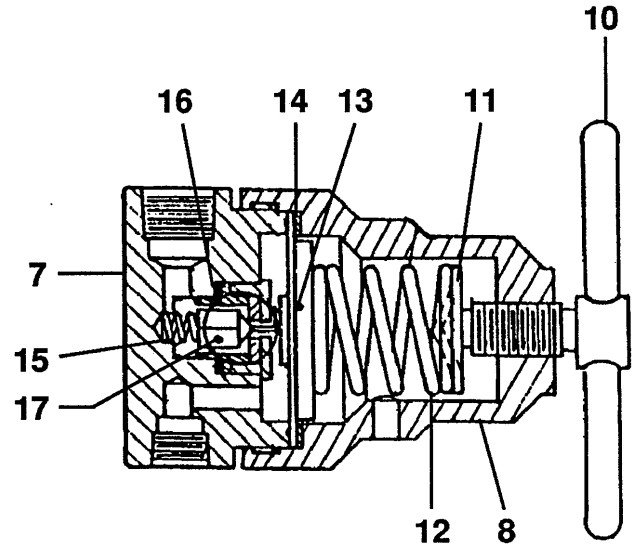
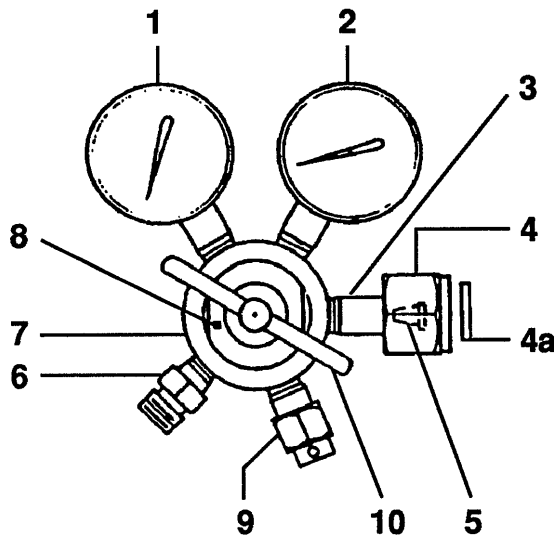


Weldit Series 400 Regulator

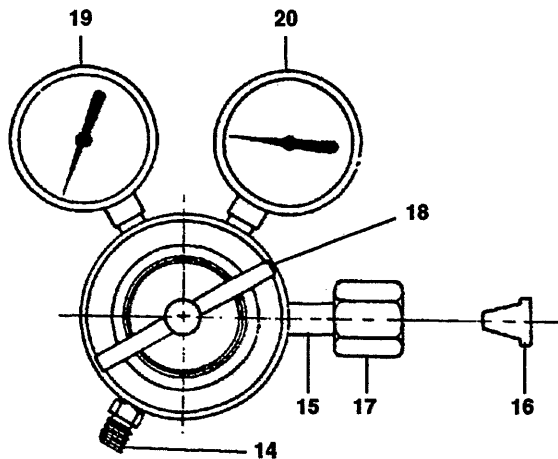
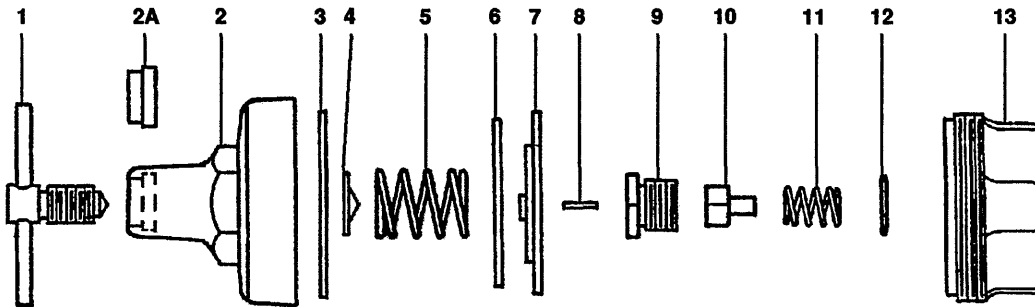


REF. NO.	MFG. NO.	S-S NO.	DESCRIPTION	CODE	REF. NO.	MFG. NO.	S-S NO.	DESCRIPTION	CODE
	W-411		Oxygen	A	5	20038		Filter	
	W-412		Oxygen	B	6	103-0024		Outlet Bushing - 9/16 - 18 R.H.	
	W-413		Acetylene	C	7	40010-5		Body	
	W-414		Acetylene	D	8	W-7117		Bonnet	
	W-415		Propane	E	9	95-100		Safety Relief Valve - 30 PSI - 1/4 NPT	
	W-417		Carbon Dioxide	F		95-130		Safety Relief Valve - 100 PSI - 1/4 NPT	
	W-419		Carbon Dioxide	G		95-160		Safety Relief Valve - 200 PSI - 1/4 NPT	
	W-421		Nitrogen/Argon	H		95-250		Safety Relief Valve - 300 PSI - 1/4 NPT	
	W-422		Nitrogen/Argon	I		W-1896		Adj. Screw - T-Type - 15,50 PSI Delivery	
	W-423		Nitrogen/Argon	J		W-1899		Adj. Screw - T-Type - 100 PSI Delivery	
	W-424		Oxygen	K		11	20264	Pivot	
	W-425		Hydrogen	L		12	20185	Spring - 15 PSI Delivery	
	W-426		Hydrogen	M			20385	Spring - 50 PSI Delivery	
1	G2R		Delivery Gauge 2" — 30 lb. Red Zone				23185	Spring - 100 PSI Delivery	
	G5		Delivery Gauge 2" - 60 lb.				20485	Spring - 200 PSI Delivery	
	G6		Delivery Gauge 2" - 100 lb.		13	W-1953		Diaphragm Assy. 15 PSI Del.	
	G4		Delivery Gauge 2" - 200 lb.			W-1898		Diaphragm Assy. 50 PSI, 100 PSI Delivery	
	G1		Delivery Gauge 2" - 400 lb.		14	W-8368		Slip Ring	
2	G7		Cylinder Gauge 2" - 4000 lb.		15	70085-7		Valve Spring	
	G1		Cylinder Gauge 2" - 400 lb.		16	70080		Washer	
3	103-0038		Inlet Stem - Oxygen		17	70099		Seat/Valve Assembly (Includes: Plunger Pin, Seat, Seat Retainer, Valve & Nozzle)	
	103-0043		Inlet Stem - Acety. (CGA 300)			W-RCV-L		Regulator Check Valve - Fuel Gas (Not Shown)	
	103-0061		Inlet Stem - Hydrogen			W-RCV-R		Regulator Check Valve - Oxygen	
	103-0063		Inlet Stem - Acetylene/Nitrogen						
	103-0075		Inlet Stem - Carbon Dioxide						
4	103-0057		Inlet Nut - Oxygen						
	103-0058		Inlet Nut - Acetylene (CGA 300)						
	103-0059		Inlet Nut - Propane, Acety.						
	103-0060		Inlet Nut - Hydrogen						
	103-0071		Inlet Nut - Nitrogen, Argon						
	103-0076		Inlet Nut - Carbon Dioxide						
4A	103-0078		Inlet Washer - CO ₂ only						

Weldit

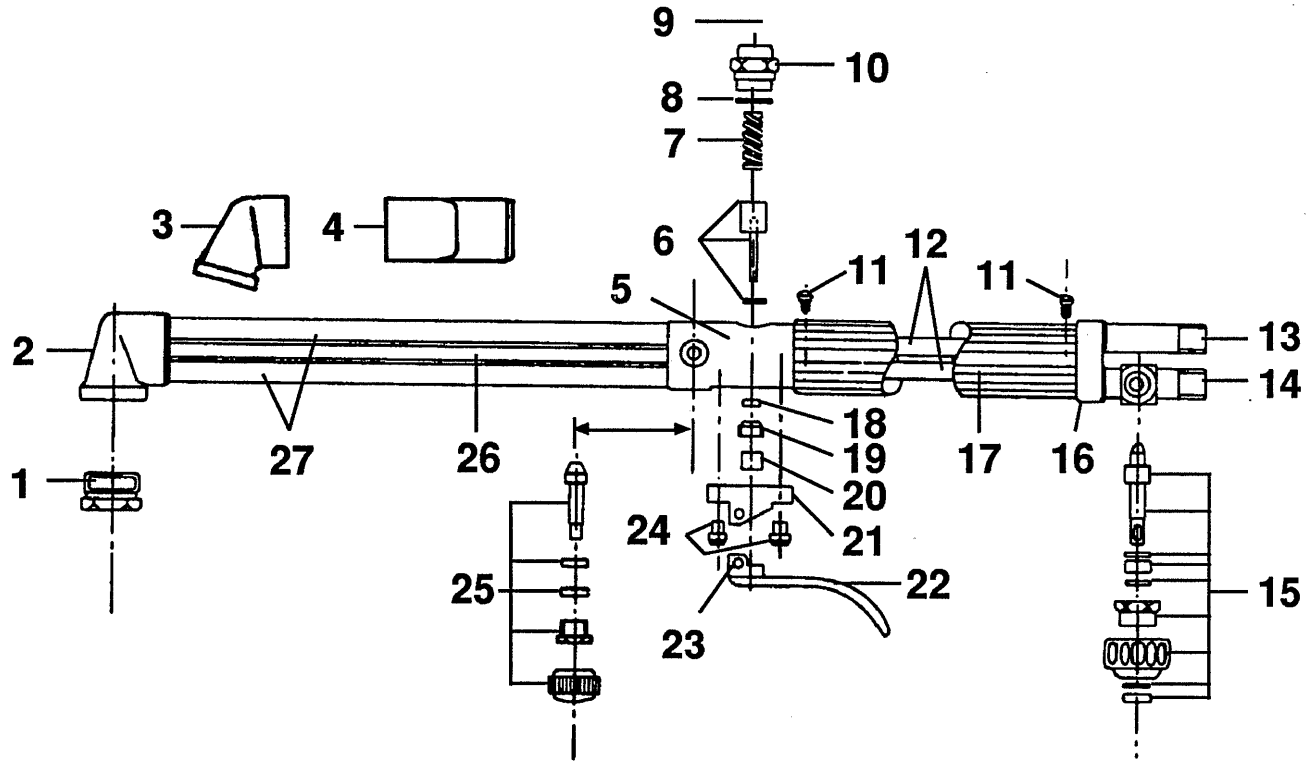
Series 800

Single-Stage Regulator



REF. NO.	MFG. NO.	S-S NO.	DESCRIPTION	CODE	REF. NO.	MFG. NO.	S-S NO.	DESCRIPTION	CODE
	W-800		Single Stage Regulators			103-0043		Inlet Nipple	C
	W-811		Regulator - Oxygen	A		103-0063		Inlet Nipple	D, E
	W-812		Regulator - Oxygen	B	16	20038		Filter	
	W-813		Regulator - Acety., Commercial	C	17	103-0057		Inlet Nut	A, B
	W-814		Reg.-Acety., POL	D		103-0058		Inlet Nut	C
	W-815		Reg. - Fuel Gas, POL	E		103-0059		Inlet Nut	D, E
1	W-1832		Adjusting Screw		18			Nameplate	
2	W-8762		Bonnet		19			Delivery Gauge - 2"- 400 lb. Brass Case	A
2A	W-7111		Insert					Delivery Gauge - 2"- 200 lb. Brass Case	B
3	20071A		Slip Ring					Delivery Gauge - 2"- 30 lb. Red Zone Brass Case	C, D
4	20264		Pivot					Delivery Gauge - 2"- 60 lb. Brass Case	E
5	W-7938		Pressure Spring	A	20			Cylinder Gauge - 2"- 4000 lb. Brass Case	A, B
	W-7839-1		Pressure Spring	B				Cylinder Gauge - 2"- 400 lb. Brass Case	C, D, E
	W-7832-1		Pressure Spring	C, D				Adapter CGA 300-510	
	W-7833		Pressure Spring	E					
6	W-8811		Metal Back-up Ring	A		W-8083			
7	W-1833-1		Diaphragm Assembly						
	W-1897		Diaphragm Assembly	A					
8	W-9406		Plunger						
9	W-7084		Nozzle						
10	W-8459	W-020	Seat						
11	W-7802		Spring						
12	W-8314		O-Ring	A-E					
13	W-8768		Body						
14	103-0024		Outlet Bushing	A, B					
	103-0025		Outlet Bushing	C-E					
15	103-0038		Inlet Nipple	A, B					

Weldit Type A Cutting Torch

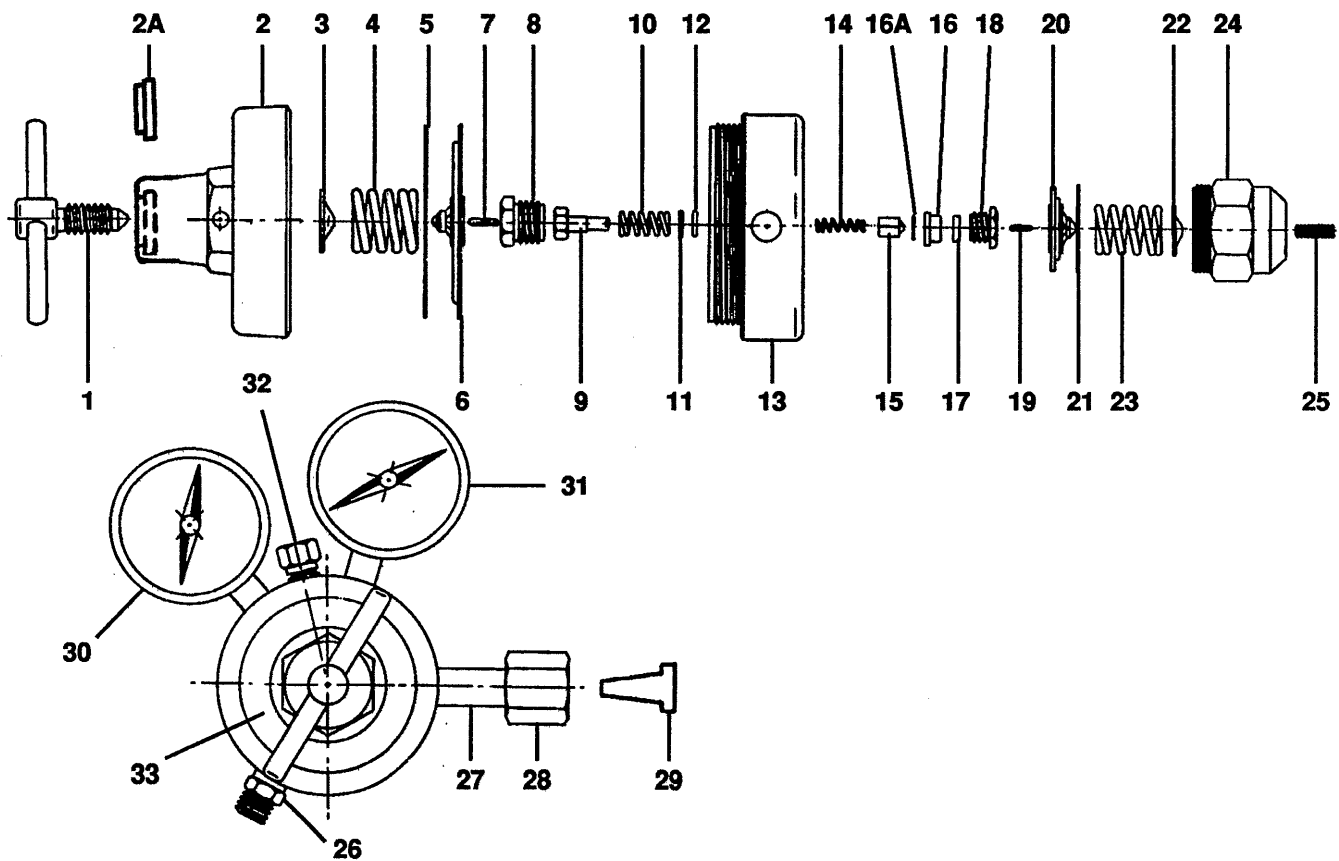


REF. NO.	MFG. NO.	S-S NO.	DESCRIPTION	CODE	REF. NO.	MFG. NO.	S-S NO.	DESCRIPTION	CODE
Type A			Cutting Torch		4	W-411-180		180° Head	
W410-75			Torch, 75° Head, 21" length, Trigger type		5	W410-01		Body	
W410-90			Torch, 90° Head, 21" length, Trigger type		6	W410-16A	W-079	H.P. Valve Stem/Seat Assy.	
W410-180			Torch, 180° Head, 21" length, Trigger type		7	W411-34		Spring	
W410L-75			Torch, 75° Head, 21" length, Long Lever		8	W410-25		Washer	
W410L-90			Torch, 90° Head, 21" length, Long Lever		9	W410-28		O-Ring - Rubber	
W410L-180			Torch, 180° Head, 21" length, Long Lever		10	W410-14		Top Nut	
W436-75			Torch, 75° Head, 36" length, Trigger type		11	W411-29		Screw (2)	
W436-90			Torch, 90° Head, 36" length, Trigger type		12	W410-11		Connecting Tubes (2)	
W436-180			Torch, 180° Head, 36" length, Trigger type		13	W410-06		Oxygen Connector	
W436L-75			Torch, 75° Head, 36" length, Long Lever		14	W410-05		Acetylene Valve Connector	
W436L-90			Torch, 90° Head, 36" length, Long Lever		15	W411-33A	W-080	Valve Assembly - Gas	
W436L-180			Torch, 180° Head, 36" length, Long Lever		16	W410-04		Base	
1 W410-21	W-077		Tip Nut		17	W410-02		Handle Tube	
2 W-411-90	W-076		90° Head		18	W410-22		O-Ring	
3 W-411-75			75° Head		19	W410-18		Retaining Screw	
					20	W410-20		Plunger	
					21	W410-19		Bracket	
					22	W410-03		Trigger	
						W410-03L		Lever	
					23	W410-24		Lever Pin	
					24	W410-23		Screw (2)	
					25	W411-31A	W-078	Valve Assy. - Oxygen	
					26	W410-12		Tube	
						W436-12		Tube - 36" Torch	
					27	W410-13		Tube (2)	
						W436-13		Tube (2) - 36" Torch	

Weldit

Series 70

Two-Stage Regulator





SEAL-SEAT

Weldit

Series 70

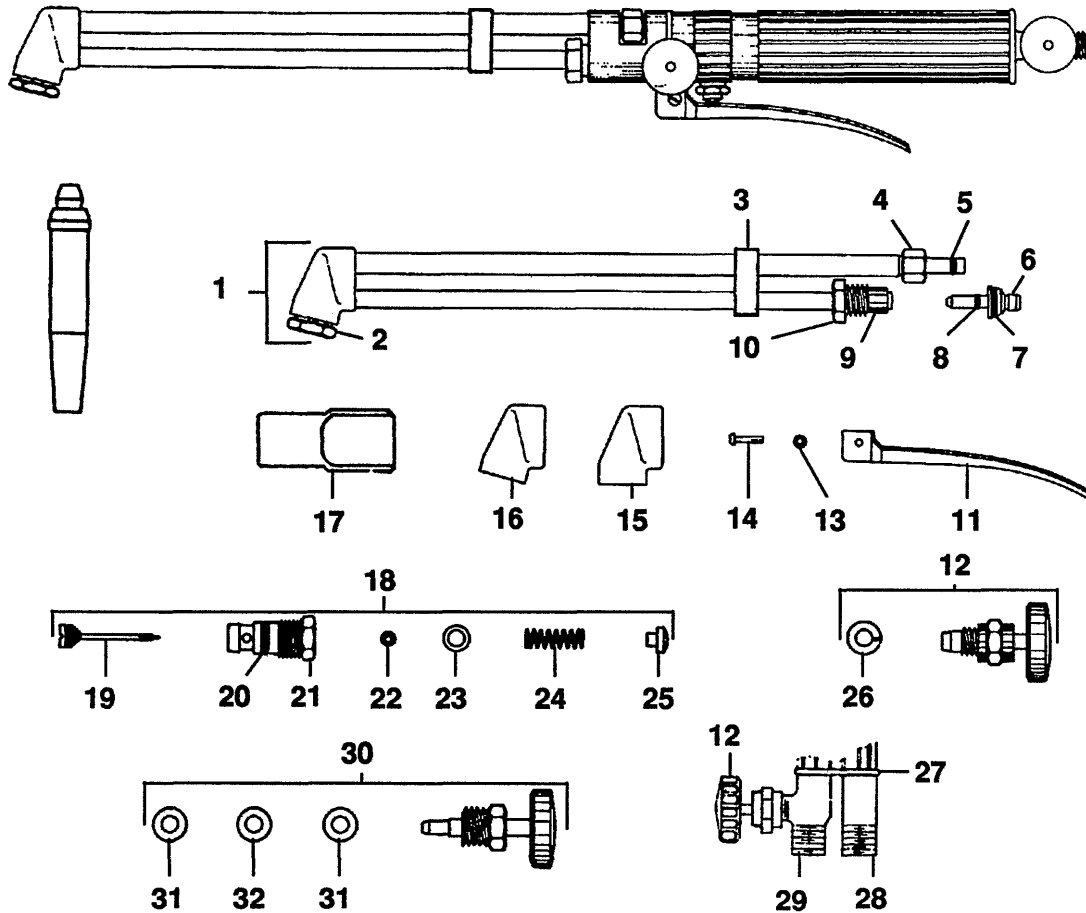
Two-Stage Regulator

REF. NO.	MFG. NO.	S-S NO.	DESCRIPTION	CODE	REF. NO.	MFG. NO.	S-S NO.	DESCRIPTION	CODE
	W-70		Two-Stage Press. Regulators		19	70066		1st Stage Plunger	
	70-3015Q		Two-Stage Reg., Acetylene	A	20	E-700-2		1st Stage Diaphragm Assy.	
	70-5115Q		Two Stage Reg., Acetylene	B	21	70039-2		1st Stage Slip Ring	
	70-5145Q		Two-Stage Reg., Propane	C	22	70064		1st Stage Pivot	
	70-5411Q		Two-Stage Reg., Oxygen	D	23	70085-3		1st Stage Bonnet Spring	A-C
	70-5426Q		Two-Stage Reg., Oxygen	E		70085-2		1st Stage Bonnet Spring	D-N
	70-5445Q		Two-Stage Reg., Oxygen	F	24	70045-4		1st Stage Bonnet	
	70-3211Q		Two-Stage Reg., CO ₂	G	25	70077-2		Adjusting Screw	
	70-5926Q		Two-Stage Reg., Helium	H	26	103-0024		Outlet Bushing	D-G, I, K, L
	70-5845Q		Two-Stage Reg., Argon/ Nitrogen	I		103-0025		Outlet Bushing	A-C, H, J, M, N
	70-5945Q		Two-Stage Reg., Argon/ Nitrogen	J	27	103-0043		Inlet Stem	A
	70-5811Q		Two-Stage Reg., Argon/ Nitrogen	K		103-0063		Inlet Stem	B, C, H-L
	70-5826Q		Two-Stage Reg., Argon/ Nitrogen	L		103-0038		Inlet Stem	D-F
	70-3545Q		Two-Stage Reg., Hydrogen	M		103-0061		Inlet Stem	M, N
	70-3511Q		Two-Stage Reg., Hydrogen	N		103-0075		Inlet Stem	G
1	A700		Adjusting Screw		28	103-0058		Inlet Nut	A
2	B700		2nd Stage Bonnet			103-0059		Inlet Nut	B, C
2A	70015		Delrin Insert			103-0057		Inlet Nut	D-F
3	20264		2nd Stage Pivot			103-0060		Inlet Nut	M, N
4	20385		2nd Stage Bonnet Spring	A, B		103-0071		Inlet Nut	I, K, L
	70085-1C		2nd Stage Bonnet Spring	D, E, G, H, K, L, N		103-0072		Inlet Nut	H, J
	70085-45		2nd Stage Bonnet Spring	C, F, I, J, M		103-0076		Inlet Nut	G
5	70039		2nd Stage Slip Ring		29	20038		Filter	
6	E-700-3		2nd Stage Diaphragm Assy.	A-D, F, G, I-K, M, N	30	890-1100		Del. Gauge 2-1/2, 30 lb.	A, B
	E-725		2nd Stage Diaphragm Assy.	E, L, H		890-1101		Del. Gauge 2-1/2, 4000 lb.	C, F, I, J, M
	72571		Back-up Ring			890-1103		Del. Gauge 2-1/2, 200 lb.	D, G, K, N
7	20066-3		2nd Stage Plunger			890-1104		Del. Gauge 2-1/2, 400 lb.	E, H, L
8	70058		2nd Stage Nozzle		31	890-1104		Cylinder Gauge 2-1/2, 400 lb.	A-C
9	D-700	W-063	2nd Stage Seat			890-1106		Cylinder Gauge 2-1/2, 4000 lb	D-N
10	20085-7		2nd Stage Valve Spring		32	95-100		Safety 30 lb.	A, B
11	70033-2		2nd Stage Valve Seat Retainer			95-130		Safety 100 lb.	C, F, I, J, M
12	7128A		2nd Stage O-Ring			95-160		Safety 200 lb.	D, G, K, N
13	70010GQ		Body			95-250		Safety 300 lb.	E, H, L
14	70085-7		1st Stage Valve Spring		33	5700R		Name Plate	A-C, F, M, N
15	70095-2		1st Stage Valve			5700G		Name Plate	D-E
16	70078		1st Stage Valve Seat Retainer			5700B		Name Plate	G-L
16A	70080		Retainer Washer			W-RCV-L		Reg. Check Valves, Fuel Gas	
17	50078-2		1st Stage Valve Seat			W-RCV-R		Reg. Check Valves, Oxygen	
18	70058-2		1st Stage Nozzle						

Weldit

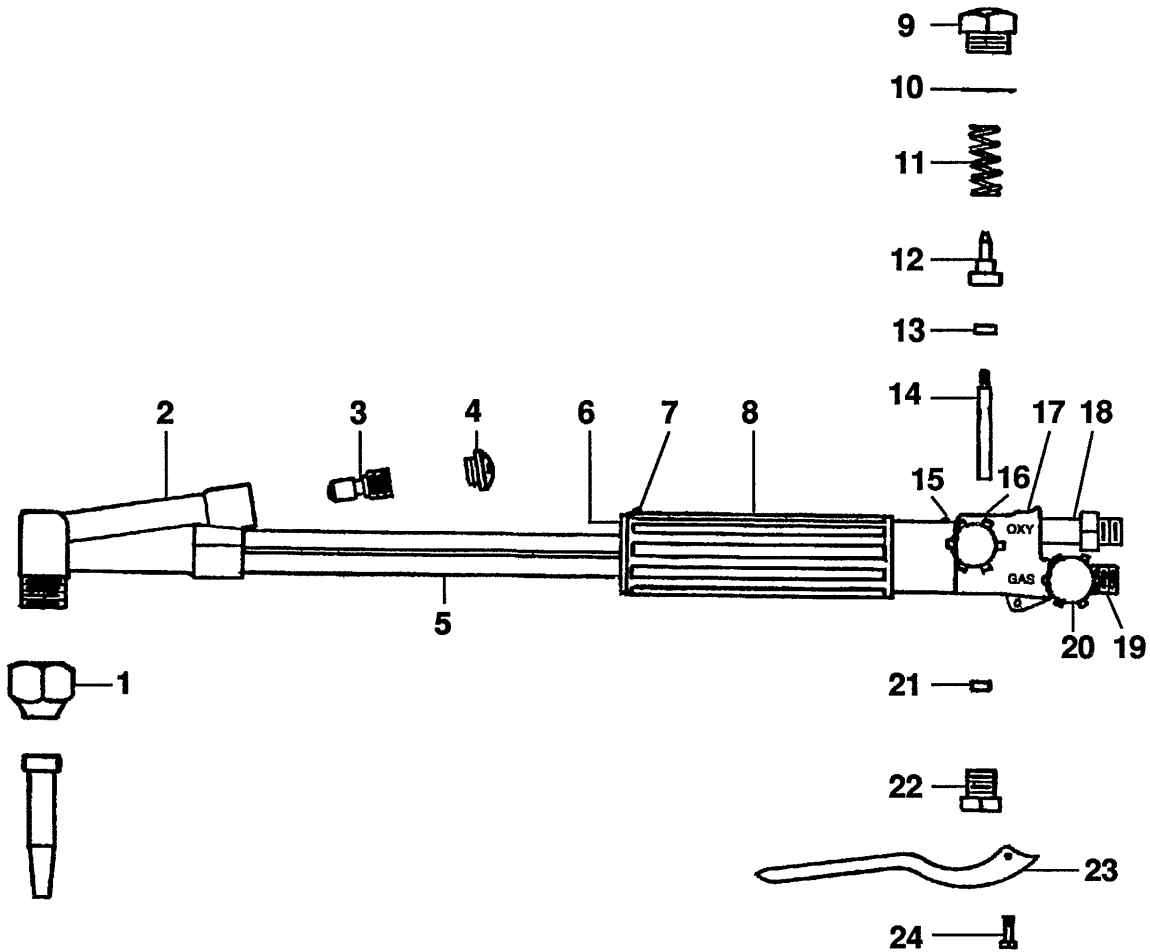
Type E

Cutting Torch



REF. NO.	MFG. NO.	S-S NO.	DESCRIPTION	CODE	REF. NO.	MFG. NO.	S-S NO.	DESCRIPTION	CODE
	Type E		Cutting Torch		12	215N		Fuel Valve Stem Assy.	
	200N		Standard Length - 75° Head		13	213N		Washer	
	201N		Standard Length, 90° Head		14	214N		Screw	
	180N		Standard Length, 180° Head		15	211N		90° Head	
	263N		36" Length, 75° Head		16	210N		75° Head	
	264N		36" Length, 90° Head		17	280N		180° Head	
	265N		36" Length, 180° Head					Series 4200	
1	220N		Front End Assy. (75° Head) (Inc. 207N & 208N)		18	229N		H.P. Valve Assy.	
	221N		Front End Assy. (90° Head) (Inc. 207N & 208N)		19	222N		Valve Stem	
	253N		Front End Assy. (180° Head) (Inc. 207N & 208N)		20	223N		O-Ring	
2	209N		Nut		21	224N		Nut	
3	251N		Tube Brace		22	225N		O-Ring	
4	202N		Nut		23	226N		Washer	
5	203N		O-Ring		24	227N		Spring	
6	204N		Mixer Assembly		25	228N		Cap	
7	205N		O-Ring		26	216N		Teflon Washer	
8	206N		O-Ring		27	241N		Back Plate	
9	207N		Retaining Ring		28	244N		Nipple - Oxygen Inlet	
10	208N		Nut		29	245N		Valve Body - Acetylene Inlet	
11	212N		Lever		30	217N		Oxygen Valve Stem Assy.	
					31	218N		Washer (2)	
					32	219N		Teflon Washer	

Weldit Type H Cutting Torch

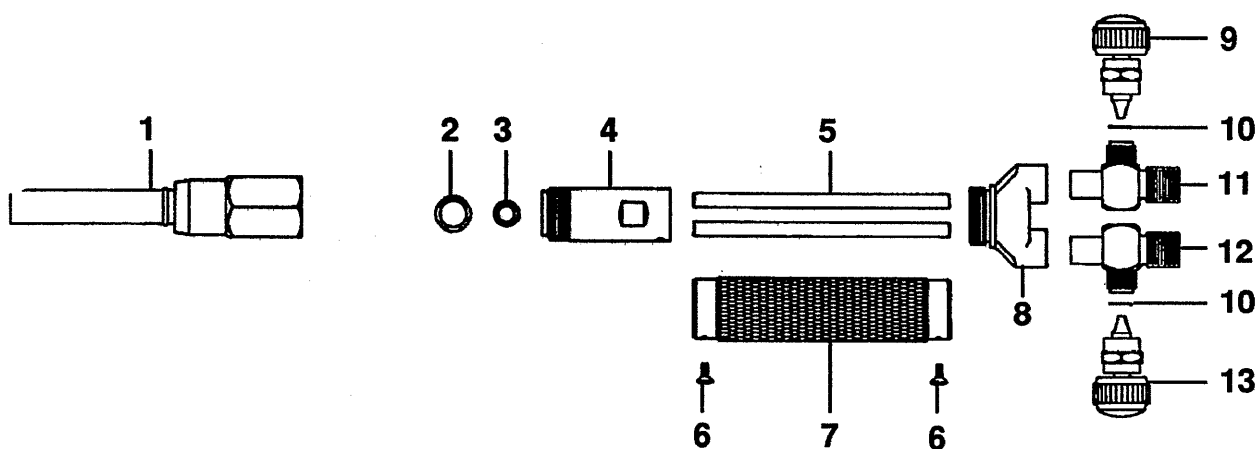


REF. NO.	MFG. NO.	S-S NO.	DESCRIPTION	CODE	REF. NO.	MFG. NO.	S-S NO.	DESCRIPTION	CODE
	Type H		Cutting Torch		11	HOC4		Spring	
	H10075		Torch, Standard Length, 75° Head		12	HOC2		H.P. Seat Cup	
	H10090		Torch, Standard Length, 90° Head		13	HC2B		Seat	
	H10018		Torch, Standard Length, 180° Head		14	HOC3		Pin	
	H13675		Torch, 36" Length, 75° Head		15	HL12		Handle Screw (2)	
	H13690		Torch, 36" Length, 90° Head		16	H68C		Oxygen Valve Assy.	
	H13618		Torch, 36" Length, 180° Head		17	HL24		Rear Body	
1	HOC1		Tip Nut		18	HC28		Oxygen Bushing	
2	HL10A		Head, 75°		19	HC29		Fuel Gas Valve Body	
	HL10B		Head, 90°		20	H68C		Fuel Gas Valve Assy.	
	HL10C		Head, 180°		21	W-8313		O-Ring	
3	HL231		Propane Injector		22	HC41		Packing Screw	
	HL232		Acetylene Injector		23	HOC8		Lever	
	HL233		Low Pressure Nat. Gas Injector		24	HOC9		Lever Screw	
4	HL171		Propane Injector Cap						
	HL172		Acetylene Injector Cap						
	HL173		L.P. Nat. Gas Injector Cap						
5	HL14		Tube (3)						
6	HL13		Center Block						
7	HC30		Drive Rivet (3)						
8	HC11		Handle						
9	HC25		H.P. Nut						
10	HOC7		Washer						

Weldit

Series W-300

Welding Handle

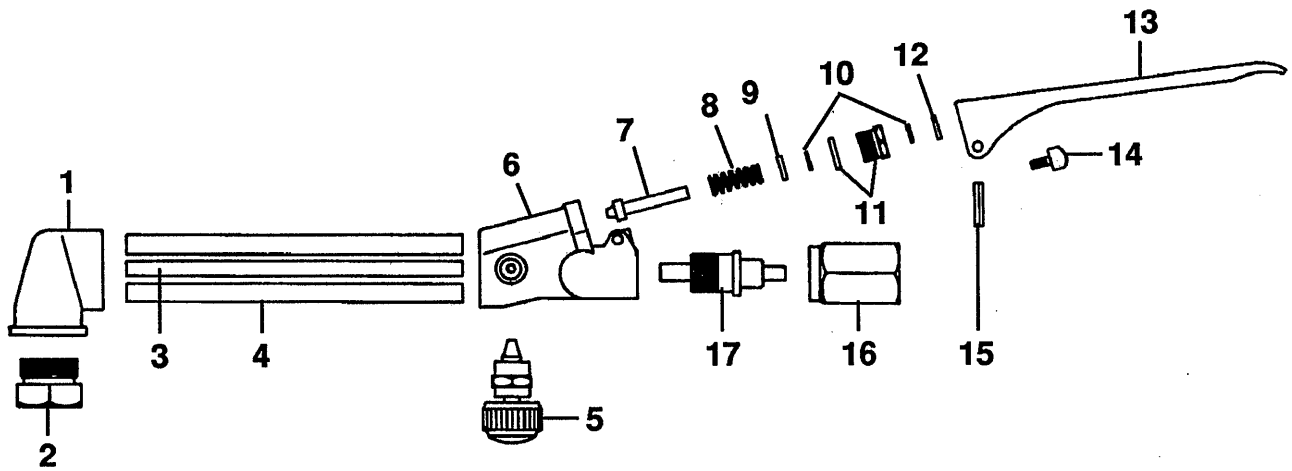


REF. NO.	MFG. NO.	S-S NO.	DESCRIPTION	CODE	REF. NO.	MFG. NO.	S-S NO.	DESCRIPTION	CODE
	W-300		Welding Handle		8	W-300-7		Handle Base	
	W-320		Mixer		9	W-300-80X		Needle Valve - Oxygen	
1	W-320		Mixer Assembly		10	W-300-10		O-Ring	
2	W-300-1		O-Ring		11	W-300-90X		Valve Body - Oxygen	
3	W-300-2		O-Ring		12	W-300-9A		Valve Body - Fuel Gas	
4	W-300-3		Handle, Head		13	W-300-8A		Needle Valve - Fuel Gas	
5	W-300-4		Tube (2)						
6	W-300-6		Screw (2)						
7	W-300-5		Handle Tube						

Weldit

Series W-310

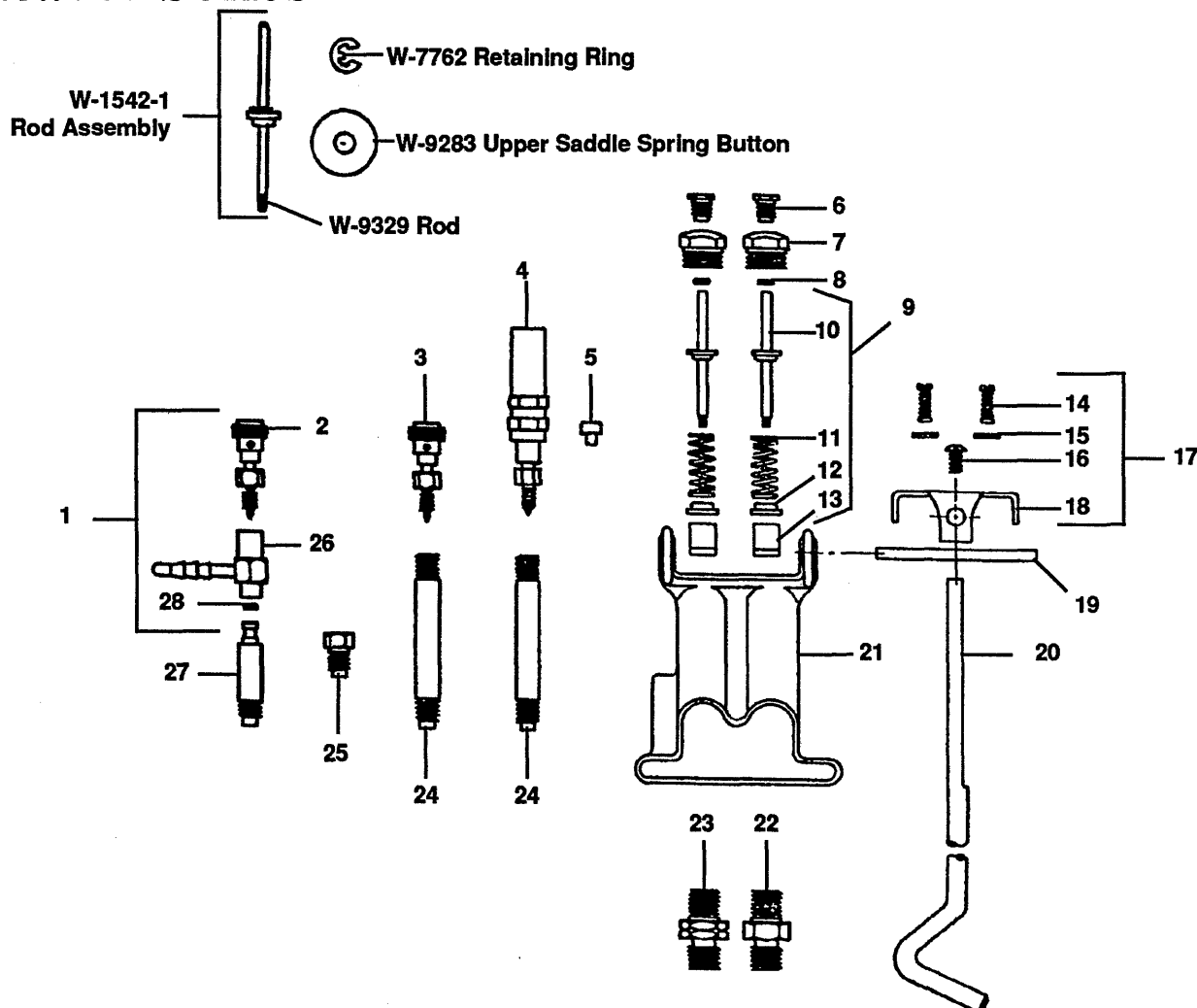
Cutting Attachment



REF. NO.	MFG. NO.	S-S NO.	DESCRIPTION	CODE	REF. NO.	MFG. NO.	S-S NO.	DESCRIPTION	CODE
	W-310		Cutting Attachment		9	W-310-20		Washer	
1	W-310-11		Head, 90°		10	W-310-19		O-Ring (2)	
2	W-310-12		Tip Nut		11	W-310-28		H.P. Nut & Washer	
3	W-310-13		Tube		12	W-310-21		Washer	
4	W-310-14		Tube (2)		13	W-310-27		Lever	
5	W-300-80X		Needle Valve - Oxygen		14	W-310-26		Screw	
6	W-310-15		Body		15	W-310-23		Pin	
7	W-310-17		H.P. Valve Spindle		16	W-310-24		Nut	
8	W-310-18		Spring		17	W-310-25		Head Adapter	

Weldit

Gasaver Series

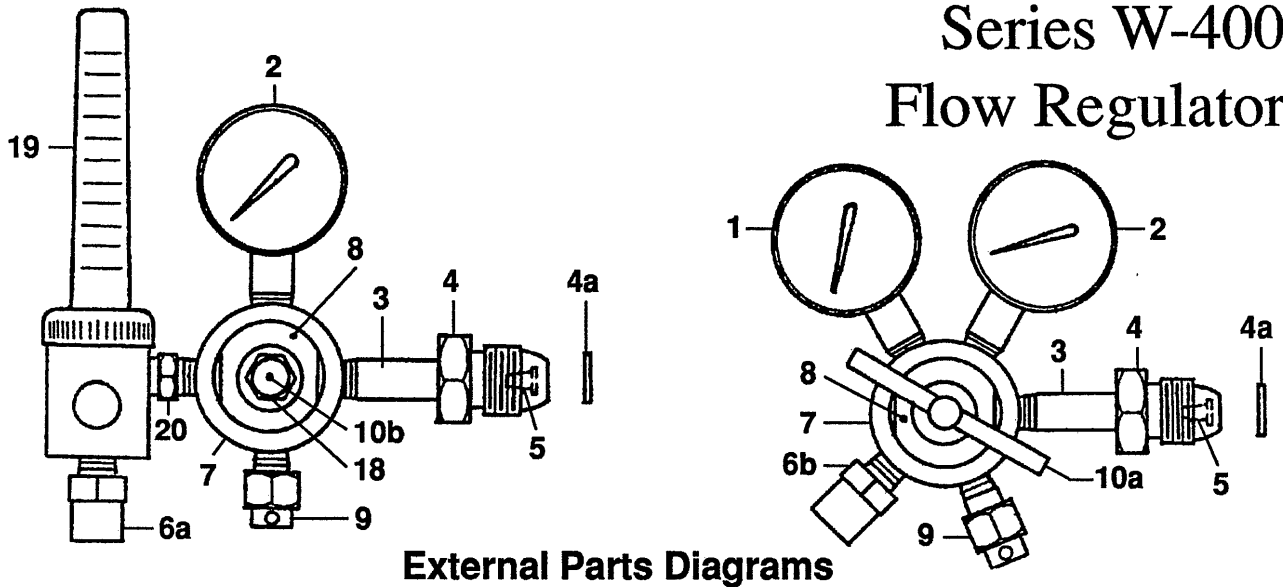


REF. NO.	MFG. NO.	S-S NO.	DESCRIPTION	CODE	REF. NO.	MFG. NO.	S-S NO.	DESCRIPTION	CODE
			Gasaver		14	W-7736		Adjusting Screw (2)	
			MAPP® or Propylene/O ₂ , Model M		15	W-7887		Adjusting Screw Lock Nut (2)	
			Acetylene/Oxygen, Model E		16	W-7730		Lever Rod Lock Screw	
			Inert Gas/Water, Model EI		17	W-10005		Saddle Assembly	
			Low Pressure N.G./O ₂ , Model ELP		18	W-8805-10		Saddle	
			Propane/Oxygen, Model P		19	W-9315		Pinion Rod	
1	W-1533		Pilot Light Assy. for W-103		20	W-9286	W-072	Lever	
2	W-1508		Pilot Light for W-103, W-104		21	W-9303		Body	
3	W-1507	W-096	Pilot Light Assy. for W-101		22	103-0024		Oxygen Inlet/Outlet (2)	
	W-9324		Lava for 1507 Pilot (not shown)					for W-100, W-101, W-104	
4	W-1740-1		Pilot Light Assy. for W-100			103-0128		Washer Inlet/Outlet (2)	
5	LP-607-1		Orifice					for W-100, W-101, W-104	
6	W-6045		Packing Nut (2)		23	103-0025		Gas Inlet/Outlet (2) for	
7	W-6183		Plunger Rod Bushing (2)					W-100, W-101, W-103, W-104	
8	LP-112		O-Ring (2)			103-0127		Inert Inlet/Outlet (2) for	
9	W-1566-1	W-004	Plunger Assembly					W-102 (not shown - female	
10	W-1542-1		Rod Assy., Plunger (2)		24	W-6056		type connections)	
			(Includes: W-9329 Rod,					Pilot Light Tube for	
			W-9283 Upper Saddle Spring		25	W-6232		W-100, W-101, W-104	
			Button, W-7762 Retaining Ring)		26	W-1506		Plug for W-102	
			(Note: sold as Assembly only)		27	W-6702		Pilot Adapter for W-103	
11	W-7809		Spring (2)		28	W-7738		Pilot Base for W-103	
12	W-9328		Lower Saddle Spring Button (2)					Set Screw for W-103	
13	W-8446-1		Seat (2)						

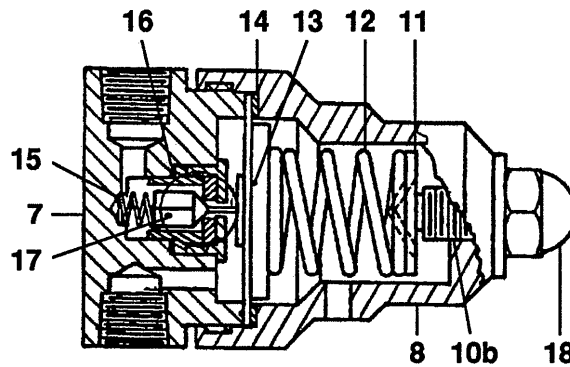
Weldit

Series W-400

Flow Regulator



External Parts Diagrams



Internal Parts Diagram

REF. NO.	MFG. NO.	S-S NO.	DESCRIPTION	CODE	REF. NO.	MFG. NO.	S-S NO.	DESCRIPTION	CODE
	W-400		External Parts Diagram		10A	W-1896		Adjusting Screw T-type	A, C
	W-400		Internal Parts Diagram		10B	W-7123		Adjusting Screw Slotted	B, D, E
	W-450		Flowgauge Regulator, Argon	A	11	20264		Pivot	
	W-471		Preset Flow Reg. Argon	B	12	20385		Spring	
	W-472		Flowgauge Regulator, CO ₂	C	13	W-1898		Diaphragm Assembly	
	W-473		Flowmeter Reg. Argon/Helium	D	14	W-8368		Slip Ring	
	W-474		Flowmeter Reg. CO ₂	E	15	70085-7		Valve Spring	
1	GF-91		Delivery Gauge 0-50 CFM/0-25 LPM		16	70080		Washer	
2	G7		Cylinder Gauge, 2", 4000 lb.		17	70099		Seat/Valve Assembly (Includes: Plunger Pin, Seat, Seat Retainer, Valve and Nozzle)	
3	103-0063		Inlet Stem (Argon)	A, B, D	18	W-7910		Acorn Nut	
	103-0075		Inlet Stem (CO ₂)	C, E	19	CF4000		Flowmeter	
4	103-0071		Inlet Nut (Argon)		20	W-8244		Connector Bushing	
	103-0076		Inlet Nut (CO ₂)						
4A	103-0078		Inlet Washer (CO ₂ only)						
5	20038		Filter						
6A	103-0127		Outlet Bushing	D, E					
6B	103-0127R		Outlet Bushing	A-C					
7	40010-4		Body	B					
	40010-4FM		Body	D, E					
	40010-5		Body	A, C					
8	W-7117		Bonnet						
9	95-130		Safety Relief Valve (100 PSI)						