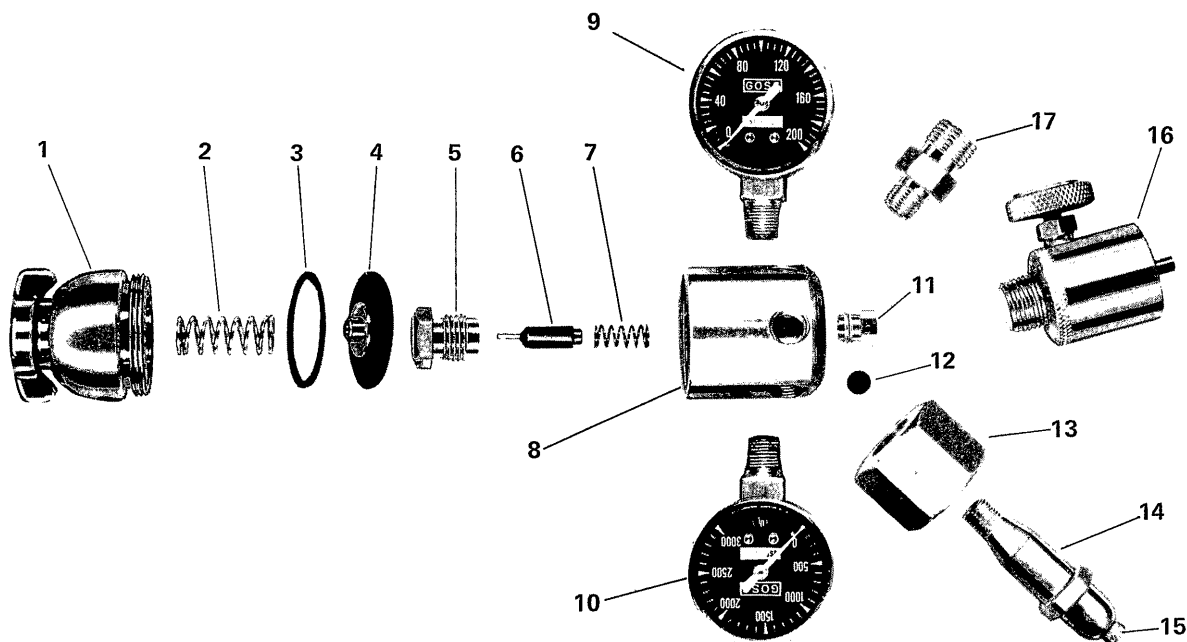


# Goss

## Model E-25

### Regulators

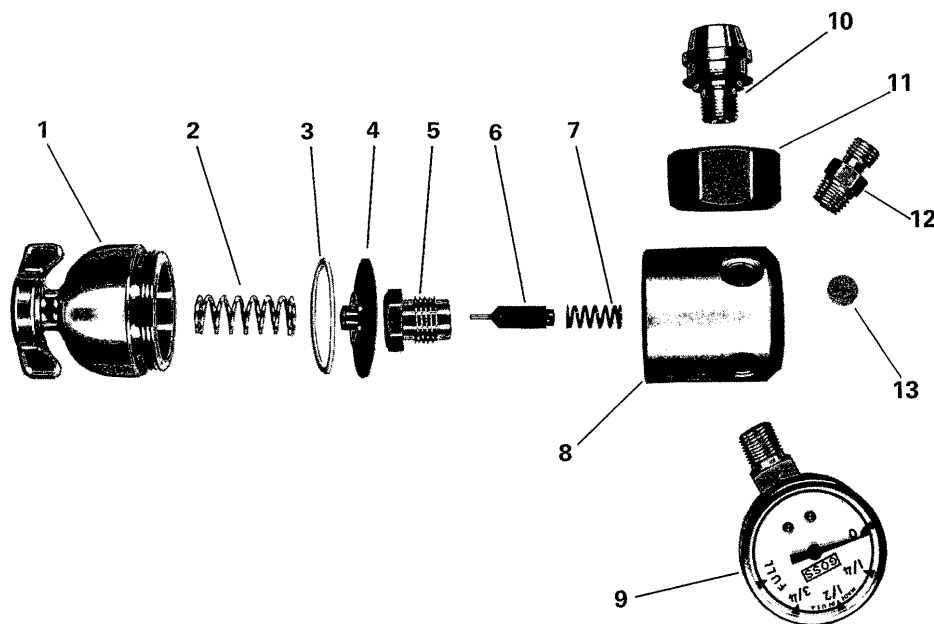


REF. NO.	MFG. NO.	S-S NO.	DESCRIPTION	CODE	REF. NO.	MFG. NO.	S-S NO.	DESCRIPTION	CODE
	EA-25, EA-25-CA		Regulator, Gas	A	10	STE-145	GS-094	Gauge, 0-400#	A-E
	EA-25-B, EA-25-BA		Regulator, Gas	B		STE-147	GS-096	Gauge, 0-3000#	F
	EA-25-DA, EP-25-D		Regulator, Gas	C	11	BRS-414	GS-086	Safety Assembly	F
	EA-25-M, EA-25-MA		Regulator, Gas	D				None Used	A-E
	EP-25, EP-25-A		Regulator Gas	E	12	BRS-291	GS-197	Rupture Disc	F
	EO-25, EO-25-A		Regulator, Oxygen	F				None Used	A-E
1	BRS-500		Bonnet Assembly	A-F	13	BRS-349	GS-079	Inlet Nut	A
2	STE-143	GS-092	Range Spring	A-E		BRS-357	GS-081	Inlet Nut	B
	STE-144	GS-093	Range Spring	F		BRS-360	GS-083	Inlet Nut	C,D
3	PLA-104	GS-090	Diaphragm Gasket	A-F		BRS-352	GS-080	Inlet Nut	E
4	RUB-116	GS-091	Diaphragm Assembly	A-F		BRS-346		Inlet Nut	F
5	BRS-282	GS-072	Seat Nut	A-F	14	BRS-345	GS-077	Stem	A
6	BRS-411	GS-085	Seat	A-F		BRS-359	GS-082	Stem	B
7	STE-170	GS-194	Seat Spring	A-F		BRS-361	GS-084	Stem	C,D
8	BRS-566		Body	A-E		BRS-343	GS-075	Stem	E
	BRS-296	GS-067	Body	F	15	BRS-344	GS-076	Stem	F
9	STE-146	GS-095	Gauge, 0-30#	A-E		STE-172		Filter	A-E
	STE-148	GS-097	Gauge, 0-200#	F	16	BRS-367	GS-087	Filter	F
					17	BRS-579		Inlet Valve	C
								None Used	A,B,D-F
						BRS-382	GS-088	Outlet, 3/8-24 A Size	A-E
						BRS-381	GS-013	Outlet, 3/8-24 A Size	F
						BRS-328	GS-073	Outlet, 9/16-18 B Size	A-E
						BRS-329	GS-074	Outlet, 9/16-18 B Size	F

# Goss

## Model EA-G

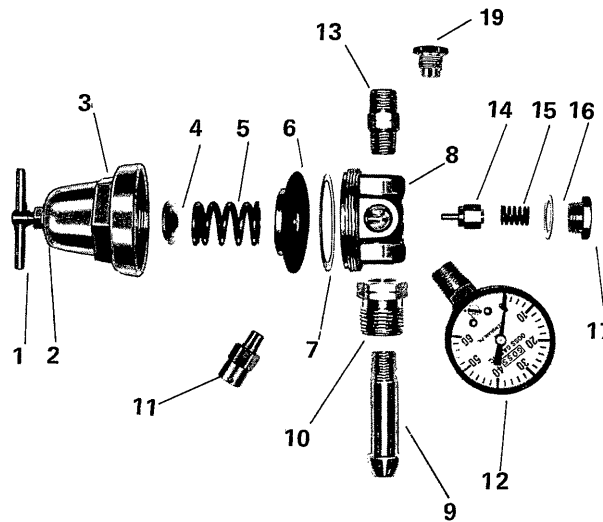
### Regulators



REF. NO.	MFG. NO.	S-S NO.	DESCRIPTION	CODE	REF. NO.	MFG. NO.	S-S NO.	DESCRIPTION	CODE
	EA-1G		Regulator, Gas	A	8	BRS-273		Body	A-D
	EA-2G		Regulator, Gas	B	9	MA80-16	GS-137	Gauge	A, B
	EA-3G		Regulator, Gas	C				None Used	C, D
	EA-4G		Regulator, Gas	D	10	BRS-359	GS-082	Inlet Stem	A, C
1	BRS-500		Bonnet Assembly	A-D		BRS-361	GS-084	Inlet Stem	B, D
2	STE-143	GS-092	Range Spring	A-D	11	BRS-357	GS-081	Inlet Nut	A, C
3	PLA-104	GS-090	Diaphragm Gasket	A-D		BRS-360	GS-083	Inlet Nut	B, D
4	RUB-116	GS-091	Diaphragm Assembly	A-D	12	BRS-382	GS-088	Outlet, 3/8-24 LH	A-D
5	BRS-282	GS-072	Seat Nut	A-D		BRS-328	GS-073	Outlet, 9/16-18 LH	A-D
6	BRS-411	GS-085	Seat	A-D	13	STE-172		Filter	A-D
7	STE-170	GS-194	Seat Spring	A-D					

# Goss

## Model EP-1G, 2G, 4G & 4GH Regulators

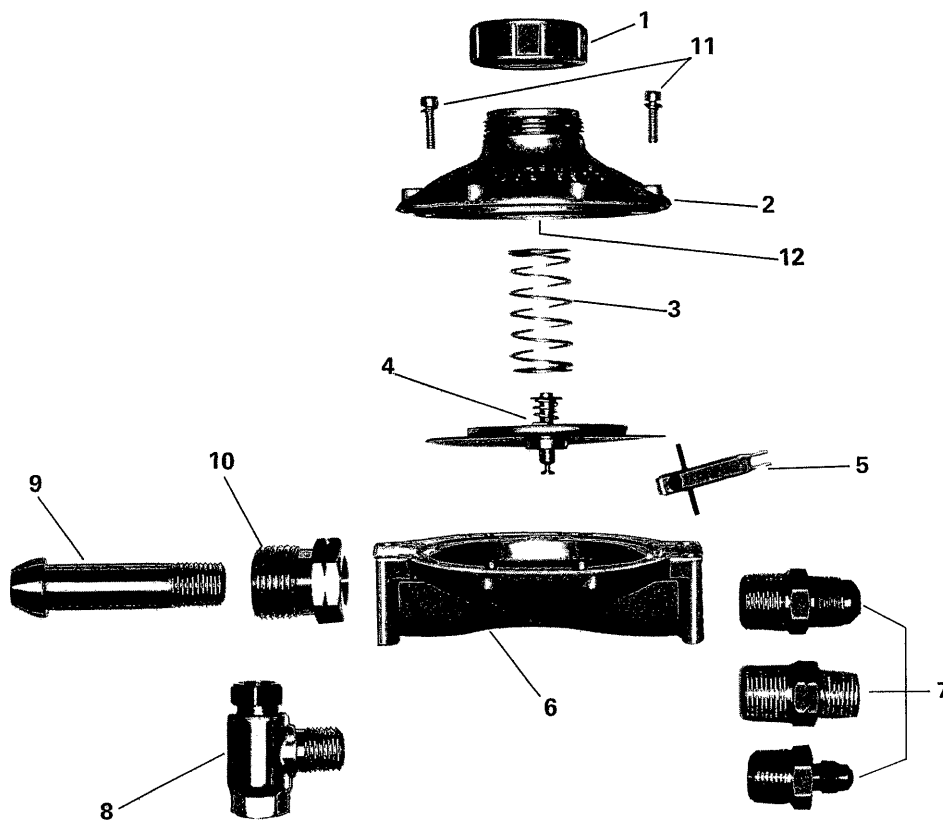


REF. NO.	MFG. NO.	S-S NO.	DESCRIPTION	CODE	REF. NO.	MFG. NO.	S-S NO.	DESCRIPTION	CODE
	EP-1G		Regulator	A	13	BRS-331	GS-099	Outlet	A-D
	EP-2G		Regulator	B	14	BRS-509		Seat	A-D
	EP-4G		Regulator	C	15	BRS-511		Seat Spring	A-D
	EP-4GH		Regulator	D	16	BRS-510		Backcap Washer	A-D
1	BRS-501		PA Screw	A-D	17	BRS-512		Backcap	A-D
2	BRS-502		Lock Nut	A-D	18			Bonnet Screws, None Used	A-D
3	BRS-503		Bonnet	A-D	19	BRS-655		Plug	B
4	BRS-504		Spring Cap	A-D				None Used	A,C,D
5	BRS-505		Range Spring	A-D					
6	BRS-506	GS-145	Diaphragm Assembly	A-D					
7	BRS-507		Diaphragm Gasket	A-D					
8	BRS-508		Body	A, B					
	BRS-496		Body	C, D					
9	BRS-355		Inlet Stem	A-C					
	BRS-348	GS-100	Inlet Stem	D					
10	BRS-353		Inlet Nut	A-C					
	BRS-631		Inlet Nut	D					
11	BRS-495		Relief Valve	C, D					
			None Used	A, B					
12	MP-673		Gauge	A,C,D					
			None Used	B					

# Goss

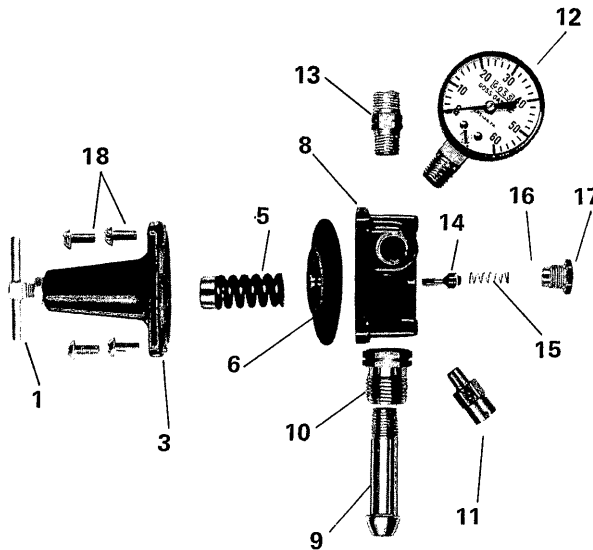
## Model EP-3

### Regulator



REF. NO.	MFG. NO.	S-S NO.	DESCRIPTION	CODE	REF. NO.	MFG. NO.	S-S NO.	DESCRIPTION	CODE
	EP 3-0		Regulator	A	8	EP3-4B		Inlet Tee	E
	EP 3-1		Regulator	B				None Used	A-D
	EP 3-2		Regulator	C	9	BRS-355		Inlet Stem	B-D
	EP 3-3		Regulator	D				None Used	A, E
	EP 3-4		Regulator	E	10	BRS-353		Inlet Nut	B-D
1	00037		Cap	A-E				None Use	A,E
2	00040		Bonnet	A-E	11	STE-224		Bonnet Screws (set of 8)	A-E
3	00039		Range Spring	A-E	12	00038		Adjusting Screw	A-E
4	00044		Diaphragm Assembly	A-E					
5	00047		Seat Assembly	A-E					
6	00049		Body	A-E					
7	BRS-333		Outlet	B, E					
	BRS-334		Outlet	C					
	BRS-332		Outlet	D					
			None Used	A					

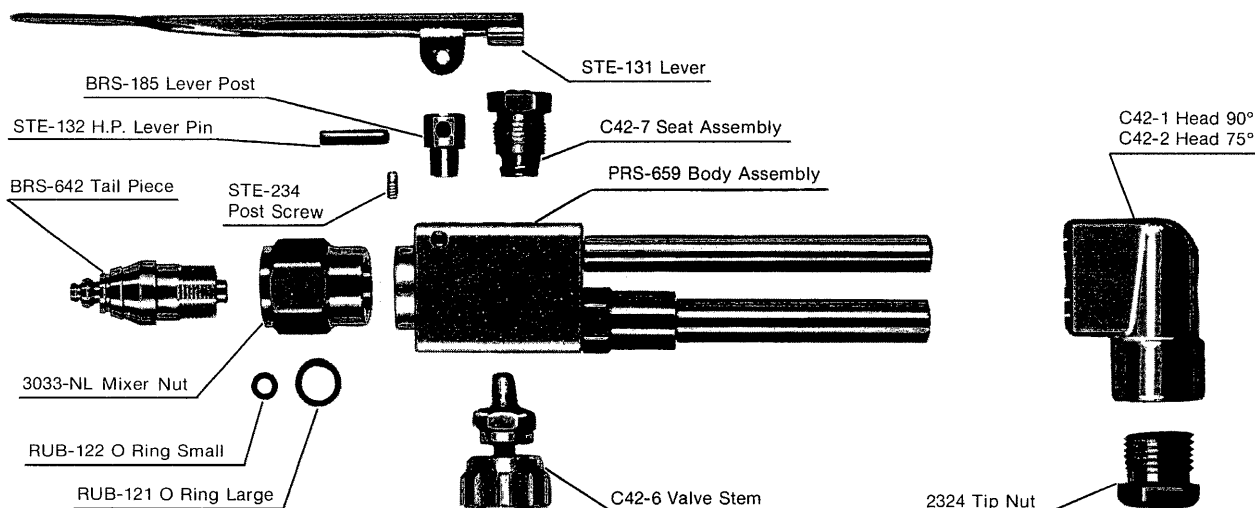
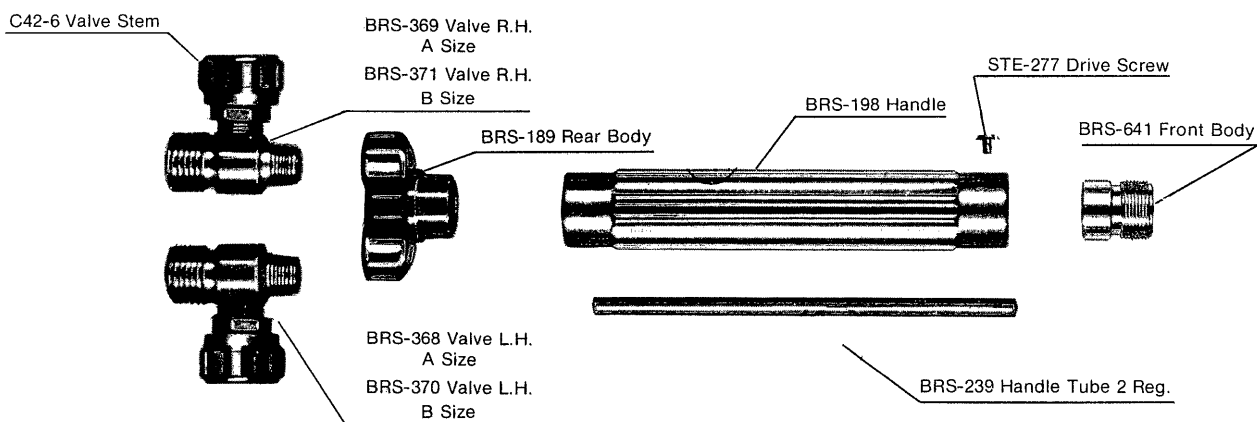
# Goss Model EP-4 Regulator



REF. NO.	MFG. NO.	S-S NO.	DESCRIPTION	CODE	REF. NO.	MFG. NO.	S-S NO.	DESCRIPTION	CODE
	EP-4		Regulator		15	567-58		Seat Spring	
1	567-14A		PA Screw		16	567-4		Backcap Washer	
2			Lock Nut, None Used		17	567-5		Backcap	
3	1360-E2		Bonnet		18	567-6		Bonnet Screws ( 4 Req.)	
4			Spring Cap, None Used		19			Plug, None Used	
5	567-19		Range Spring						
6	567-E7		Diaphragm Assembly						
7			Diaphragm Gasket, None Used						
8	567-1		Body						
9	BRS-355		Inlet Stem						
10	BRS-353		Inlet Nut						
11	BRS-495		Relief Valve						
12	MP-673		Gauge						
13	BRS-331	GS-099	Outlet						
14	7519-83A		Seat						

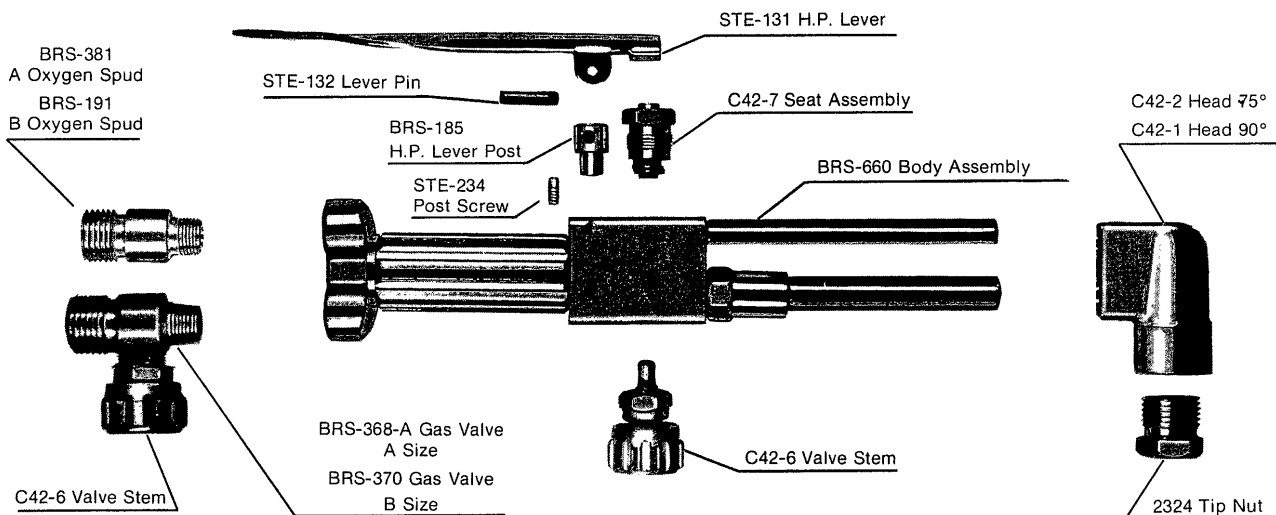
# Goss

## Model TC-23 Torches



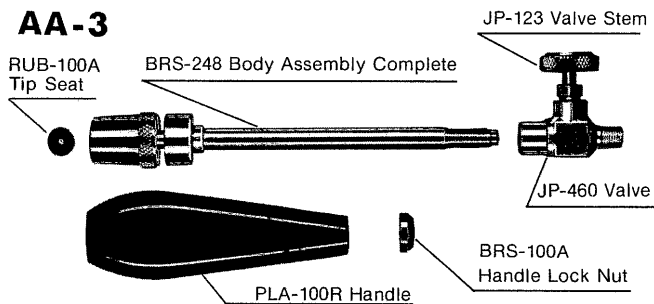
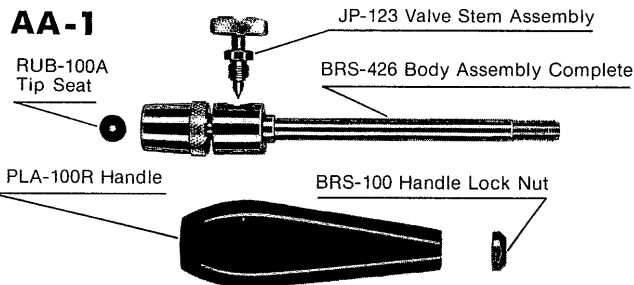
MFG. NO.	S-S NO.	DESCRIPTION	MFG. NO.	S-S NO.	DESCRIPTION
2324	GS-021	Tip Nut	C-42-6	GS-153	Valve Stem
3033-NL		Mixer Nut	C42-1		Head, 90 degree
BRS-185	GS-003	Lever Post	C42-2		Head, 75 Degree
BRS-189	GS-006	Rear Body	C42-7	GS-154	Seat Assembly
BRS-198	GS-044	Handle	PRS-359		Body Assembly
BRS-239	GS-045	Handle Tube (2)	RUB-121	GS-016	O-Ring, Large
BRS-368		Valve L. H., A Size	RUB-122	GS-017	O-Ring, Small
BRS-369		Valve R. H., A Size	STE-131	GS-018	Lever
BRS-370		Valve L. H., B Size	STE-132	GS-019	H. P. Lever Pin
BRS-371		Valve R. H., B Size	STE-234		Post Screw
BRS-641		Front Body	STE-277		Drive Screw
BRS-642		Tail Piece			

# Goss Model M-200 Mini Torch



MFG. NO.	S-S NO.	DESCRIPTION	MFG. NO.	S-S NO.	DESCRIPTION
2324	GS-021	Tip Nut	STE-132	GS-019	Lever Pin
BRS-185	GS-003	H. P. Lever Post	STE-234		Post Screw
BRS-191	GS-008	B Oxygen Spud			
BRS-368-A		Gas Valve, A Size			
BRS-370		Gas Valve, B Size			
BRS-381	GS-013	A Oxygen Spud			
BRS-660		Body Assembly			
C42-1		Head, 90 Degree			
C42-2		Head, 75 Degree			
C42-6	GS-153	Valve Stem			
C42-7	GS-154	Seat Assembly			
STE-131	GS-018	H. P. Lever			

# Goss AA Torches

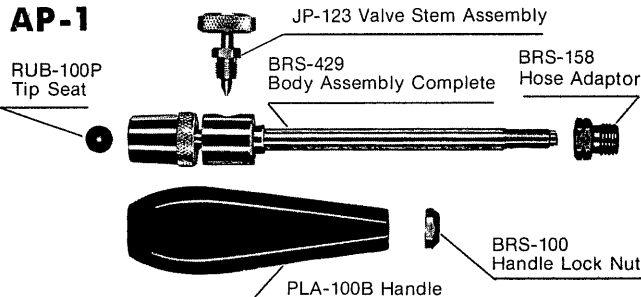


MFG. NO.	S-S NO.	DESCRIPTION	MFG. NO.	S-S NO.	DESCRIPTION
BRS-100	GS-022	Handle Lock Nut	JP-123	GS-036	Valve Stem Assembly
BRS-100A	GS-023	Handle Lock Nut	JP-460		Valve
BRS-248		Body Assembly Complete	PLA-100R	GS-039	Handle
BRS-426	GS-028	Body Assembly Complete	RUB-100A	GS-040	Tip Seat

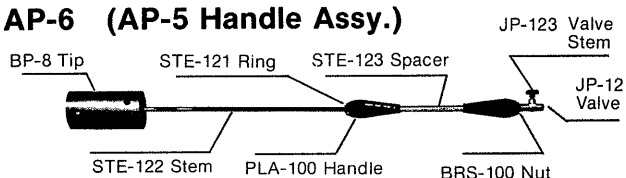


# Goss AP Torches

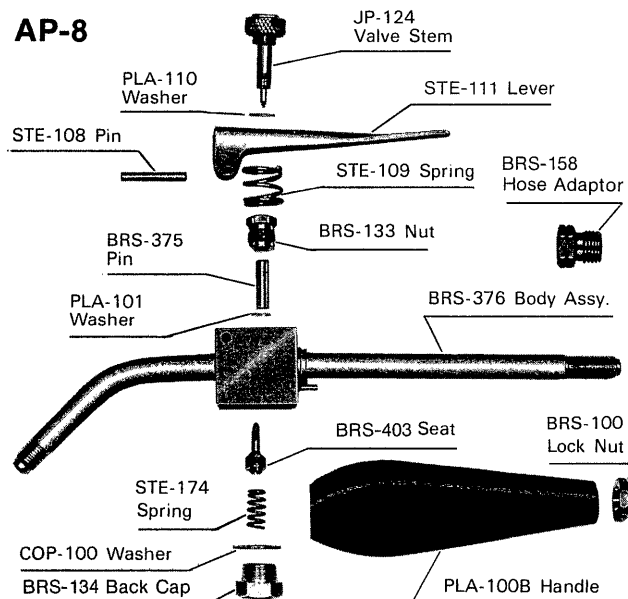
## AP-1



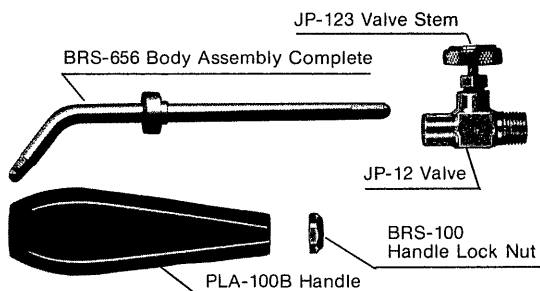
## AP-6 (AP-5 Handle Assy.)



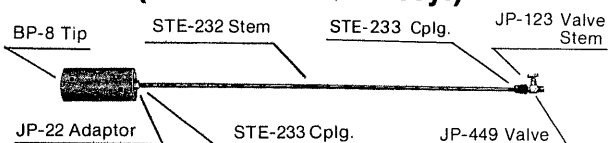
## AP-8



## AP-9



## AP-10A (AP-11A Handle Assy.)



MFG. NO.	S-S NO.	DESCRIPTION	MFG. NO.	S-S NO.	DESCRIPTION
BP-8		Tip	JP-449		Valve
BRS-100	GS-022	Handle Lock Nut	PLA-100		Handle
BRS-133		Nut	PLA-100B		Handle
BRS-134		Back Cap	PLA-101		Washer
BRS-158	GS-024	Hose Adaptor	PLA-110		Washer
BRS-375		Pin	RUB-100P	GS-040	Tip Seat
BRS-376		Body Assembly	STE-108		Pin
BRS-403		Seat	STE-109		Spring
BRS-429		Body Assembly, Complete	STE-111		Lever
BRS-656		Body Assembly, Complete	STE-121	GS-016	Ring
COP-100		Washer	STE-122		Stem
JP-12	GS-035	Valve	STE-123		Spacer
JP-22		Adaptor	STE-174		Spring
JP-123	GS-036	Valve Stem Assembly	STE-232		Stem
JP-124		Valve Stem	STE-233		Coupling