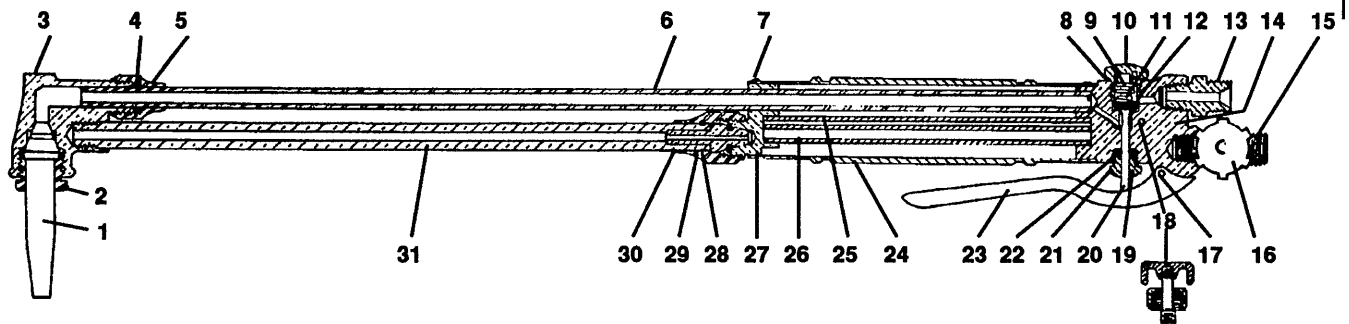


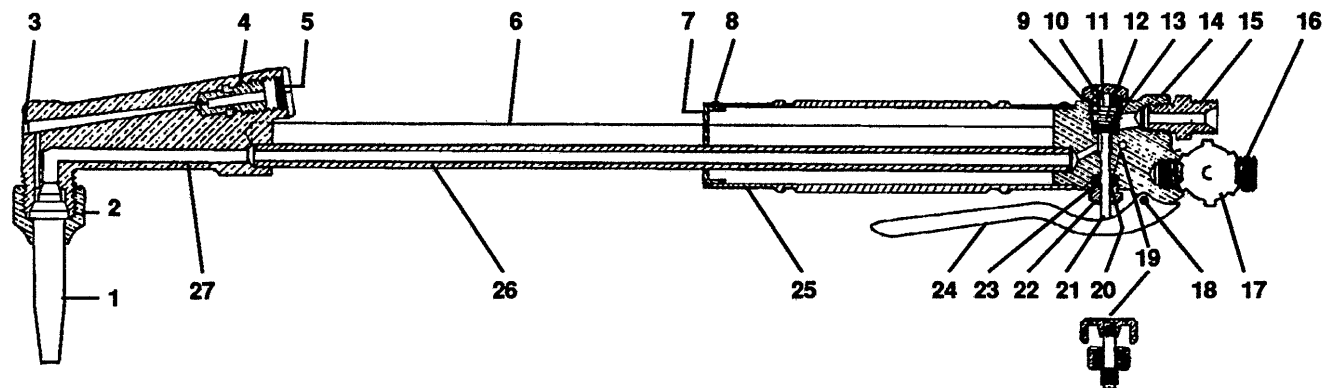
# Dockson Model C Cutting Torch



REF. NO.	MFG. NO.	S-S NO.	DESCRIPTION	CODE	REF. NO.	MFG. NO.	S-S NO.	DESCRIPTION	CODE
	C		Cutting Torch		20	98-P		Packing	
1	C		Tip		21	C-3		Pin	
2	C-1	D-080	Tip Nut		22	C-26		Gland Screw	
3	C-10A		75 Degree Head		23	C-8		Lever	
	C-10B	D-128	90 Degree Head		24	C-11		Handle	
4	C-22		Coupling Washer		25	C-16A		Oxygen L. P. Tube	
5	C-20		Coupling Nut		26	C-16B		Acetylene Tube	
6	C-14		H. P. Tube		27	C-13		Center Block	
7	L-12		Drive Screw		28	C-17A		Tube Ring	
8	C-7	D-010	H. P. Washer		29	C-21		Mixer Nut	
9	C-4		Spring		30	C-23		Mixer	
10	C-25		Plug Nut		31	C-17		Mixer Tube	
11	C-2	D-012	Seat Cup						
12	C-2B	D-002	Seat						
13	27-A		Oxygen Bushing						
14	C-24		Rear Block						
15	C-6		Valve Body						
16	58C		Valve Stem						
17	C-9		Lever Screw						
18	C-65		Valve Stem						
19	C5-75P	D-031	Packing						

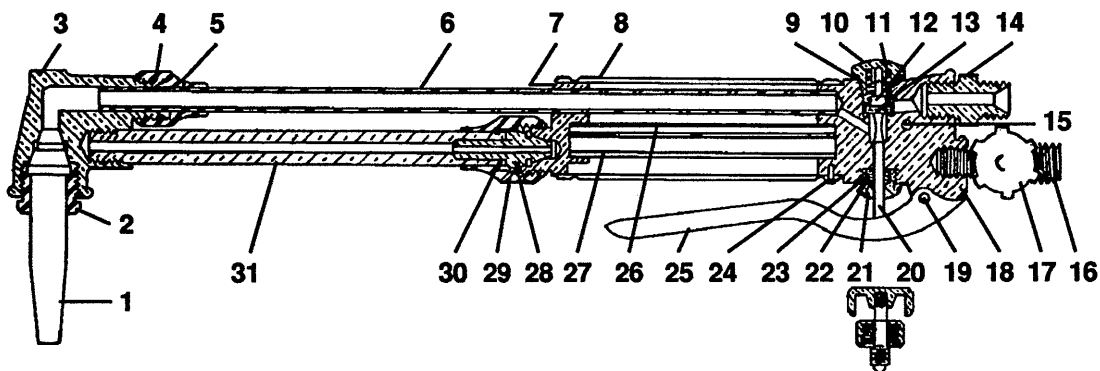
# Dockson

## Model L Cutting Torch



REF. NO.	MFG. NO.	S-S NO.	DESCRIPTION	CODE	REF. NO.	MFG. NO.	S-S NO.	DESCRIPTION	CODE
	L		Cutting Torch		21	C-3		Pin	
1			Tip		22	C-26		Packing Screw	
2	L-1		Tip Nut		23	C5-75P		Packing	
3	L-15		Head Plug		24	C-8		Lever	
4	L-23		Injector		25	C-11		Handle	
5	L-17		Cap		26	L-14		H. P. Tube	
6	L-16		L. P. Tube		27	L-10B	D-128	Head	
7	L-13		Center Block						
8	L-12		Handle Screw						
9	C-7		Washer						
10	C-25		Plug Nut						
11	C-4		Spring						
12	C-2		H. P. Seat						
13	C-2B	D-002	Seat						
14	L-24		Rear Block						
15	134-27A		Oxygen Bushing						
16	C-6		Valve Body						
17	58C	D-078	Valve Stem						
18	C-9		Lever Screw						
19	65C	D-082	Valve Stem						
20	98-P		Packing						

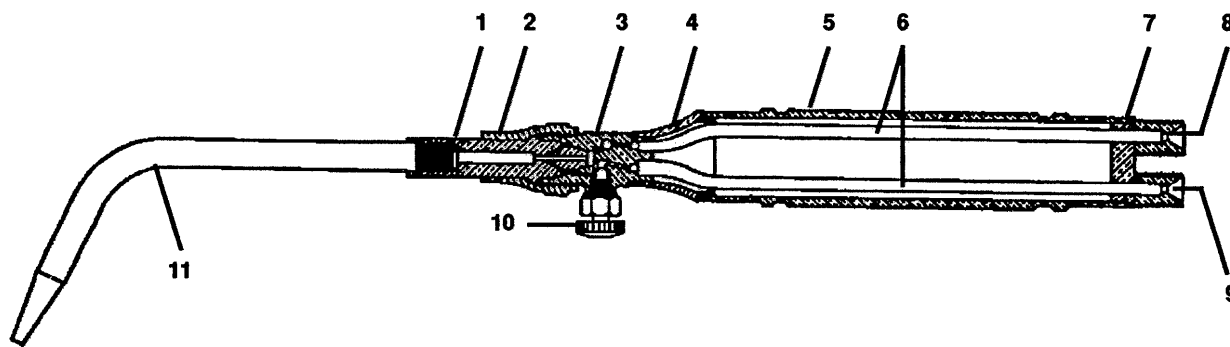
# Dockson Model CM Cutting Torch



REF. NO.	MFG. NO.	S-S NO.	DESCRIPTION	CODE	REF. NO.	MFG. NO.	S-S NO.	DESCRIPTION	CODE
	CM		Cutting Torch		21	C-26		Gland Screw	
1	C		Tip		22	C5-75P	D-031	Packing	
2	C-1	D-080	Tip Nut		23	98-P		Packing	
3	C-10B	D-128	90 Degree Head		24	L-12		Drive Screw	
4	C-22		Coupling Washer		25	C-8		Lever	
5	C-20		Coupling Nut		26	CM-16A		Oxygen Tube	
6	CM-14		H. P. Tube		27	CM-16B		Acetylene Tube	
7	C-13		Center Block		28	C-23		Mixer	
8	CM-11		Handle Shell		29	C-21		Mixer Nut	
9	C-7	D-010	Washer		30	C-17A		Tube Ring	
10	C-25		Plug Nut		31	C-33		Mixer Tube	
11	C-4		Spring						
12	C-2	D-012	Seat Cup						
13	C-2B	D-002	Seat						
14	27-A		Oxygen Bushing						
15	65C	D-082	Valve Stem						
16	C-6		Valve Body						
17	58-C	D-078	Valve Stem						
18	C-24		Rear Block						
19	C-9		Lever Screw						
20	C-3		H. P. Pin						

# Dockson

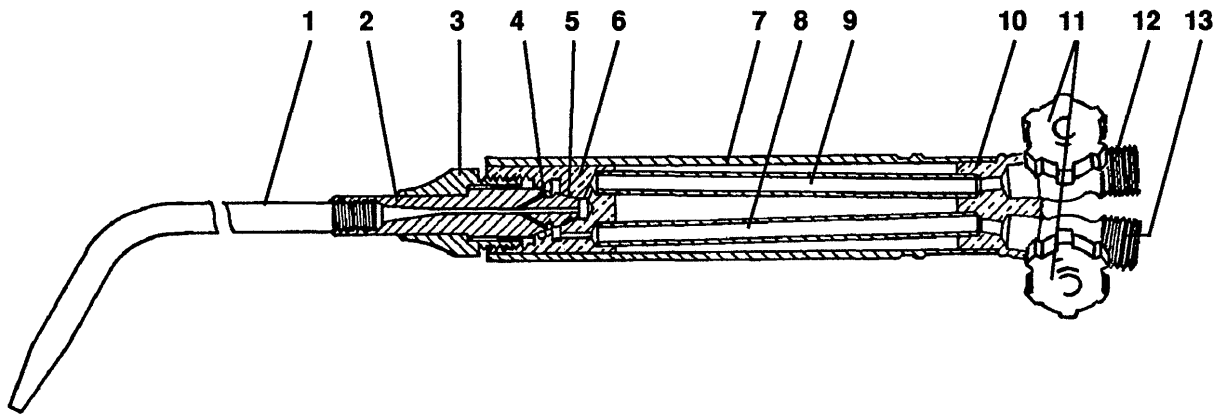
## Model 8 Welding Torch



REF. NO.	MFG. NO.	S-S NO.	DESCRIPTION	CODE	REF. NO.	MFG. NO.	S-S NO.	DESCRIPTION	CODE
8			Welding Torch		7	82-A		Rear Handle Bushing	
1	87-E		Mixer		8	84-A		Oxygen Torch Bushing	
2	86-E		Mixer Nut		9	84-B		Acetylene Torch Bushing	
3	82-B		Center Block		10	98-C		Valve Stem Assembly	
4	89		Front Handle Bushing		11			Style "EV" Welding Tip	
5	82-D		Handle Shell					Order by size	
6	82-C		Torch Tube (2)						

# Dockson

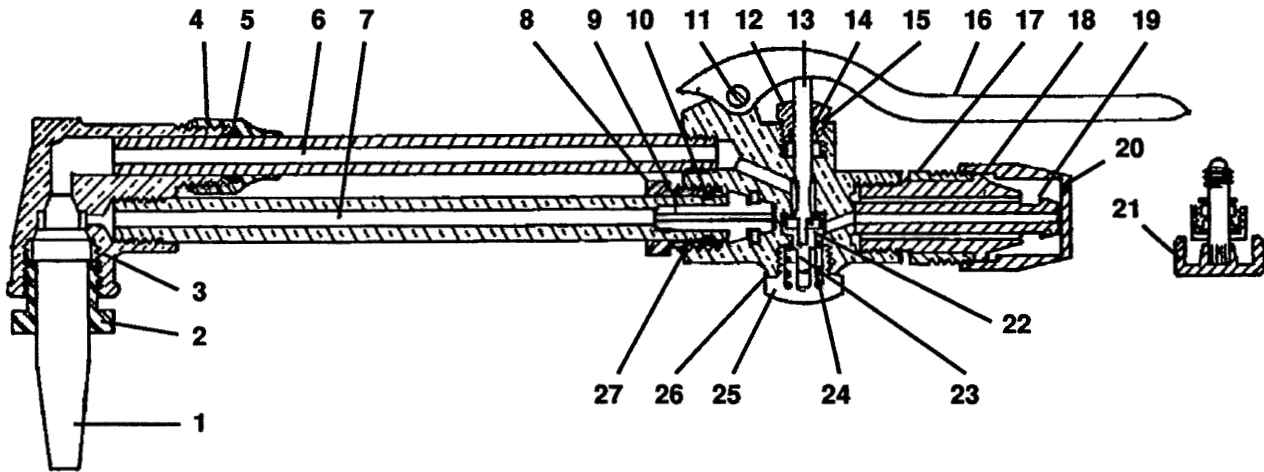
## Models 5 & 6 Welding Torch



REF. NO.	MFG. NO.	S-S NO.	DESCRIPTION	CODE	REF. NO.	MFG. NO.	S-S NO.	DESCRIPTION	CODE
5			Welding Torch	A	11	58C	D-078	Valve Stem Assembly (2)	A
6			Welding Torch	B		65C	D-082	Valve Stem Assembly (2)	B
1	E		Tip (Specify Size)	A, B	12	58A		Oxygen Valve	A
2	57E		Mixer	A		65A		Oxygen Valve	B
	67E		Mixer	B	13	58B		Acetylene Valve	A
3	56E		Mixer Nut	A		65B		Acetylene Valve	B
	64	D-081	Mixer Nut	B					
4	52R11		Center Block Ring	A					
	62R10		Center Block Ring	B					
5	57R4		Mixer Ring	A					
	67R4		Mixer Ring	B					
6	52B		Center Block	A					
	62B		Center Block	B					
7	52D		Handle Shell	A					
	62D		Handle Shell	B					
8	52C1		Brass Tube	A					
	62C1		Brass Tube	B					
9	52C		Copper Tube	A					
	62C		Copper Tube	B					
10	52A		Rear Block	A					
	62A		Rear Block	B					

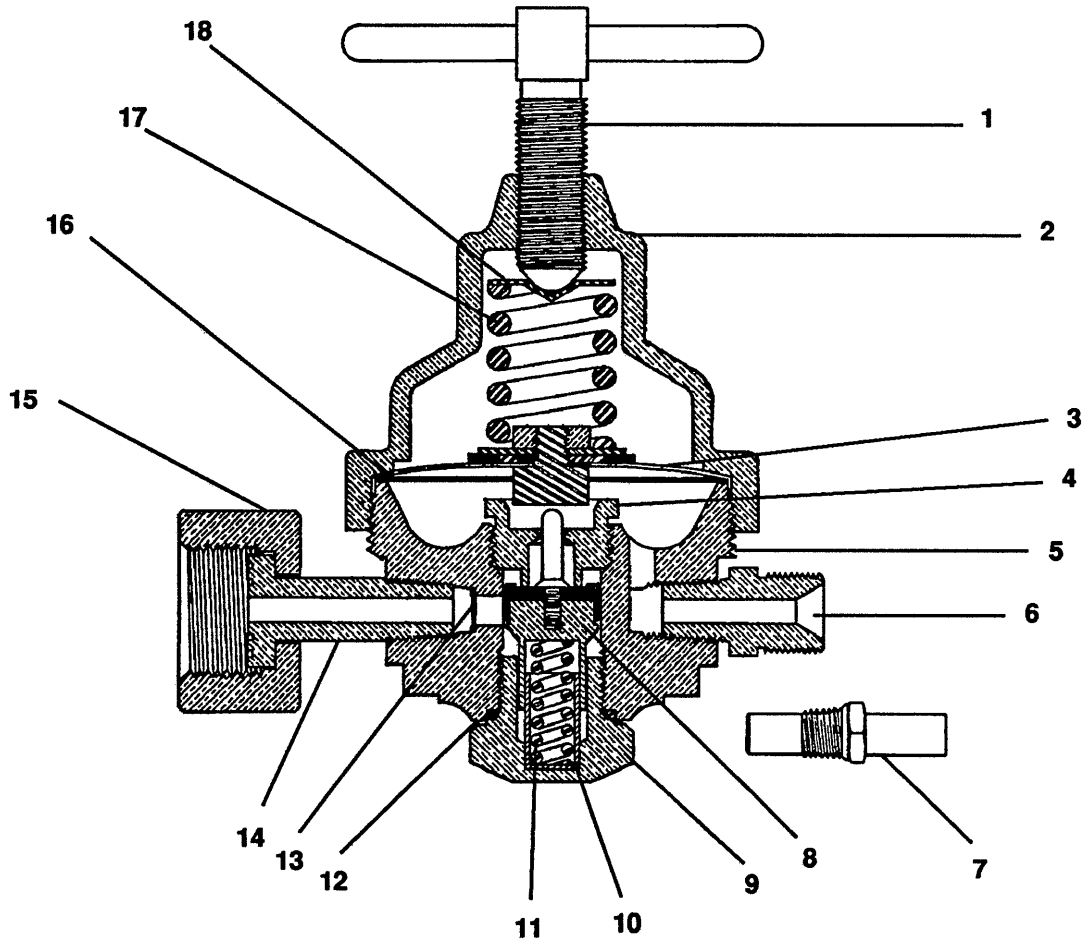
# Dockson

## Model C-5 & C-6 Cutting Attachment



REF. NO.	MFG. NO.	S-S NO.	DESCRIPTION	CODE	REF. NO.	MFG. NO.	S-S NO.	DESCRIPTION	CODE
	C-5		Cutting Attachment	A		C6-36		Union	B
	C-6		Cutting Attachment	B	19	C5-39R4		Sealing Ring	A
1	C		Tip (Specify Size)	A, B		C6-39R4		Sealing Ring	B
2	C5-1		Tip Nut	A, B	20	C5-40		Protector	A
3	C5-10B		90 Degree Head	A, B		C6-40		Protector	B
4	C5-20		Coupling Nut	A, B		C6-38		Union Ring	B
5	C5-22		Washer	A, B	21	C5-65C		Valve Stem Assembly	A, B
6	C5-32		H. P. Oxygen Tube	A, B	22	C5-2B	D-019	H. P. Seat	A, B
7	C5-33		Mixing Tube	A, B	23	C5-2		Seat Cup	A, B
8	C5-34		Mixer Nut	A, B	24	C5-4	D-021	Spring	A, B
9	C5-35		Mixer	A, B	25	C5-25		H. P. Plug Nut	A, B
10	C5-31		Center Block	A, B	26	C5-7	D-022	H. P. Washer	A, B
11	C5-9		Lever Screw	A, B	27	C5-17A		Ring	A, B
12	C5-26		Packing Screw	A, B					
13	C5-3	D-013	Pin	A, B					
14	C5-98P		Packing	A, B					
15	C5-75P	D-031	Packing	A, B					
16	C5-8		Lever	A, B					
17	C5-37		Union Nut	A					
	C6-37		Union Nut	B					
18	C5-36		Union	A					

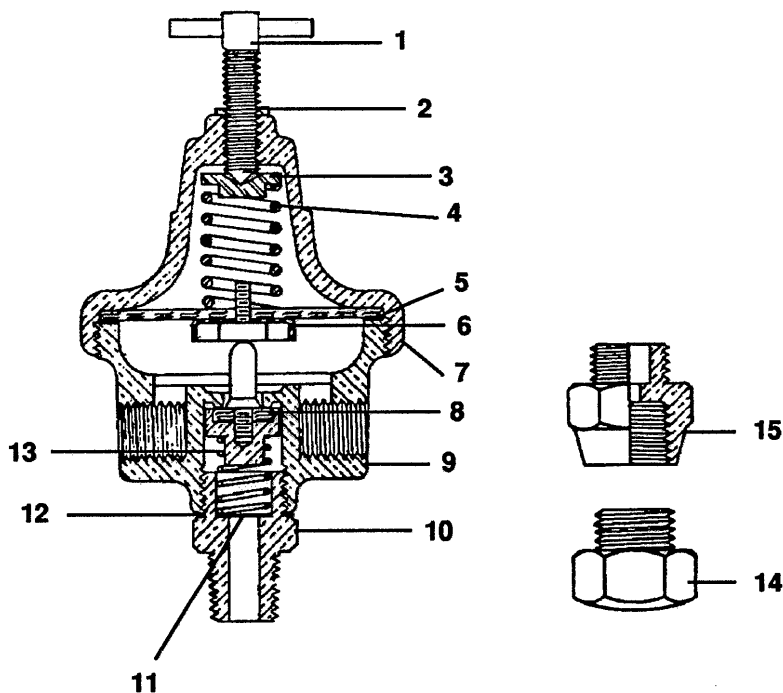
# Dockson Model 44 Regulator



REF. NO.	MFG. NO.	S-S NO.	DESCRIPTION	CODE	REF. NO.	MFG. NO.	S-S NO.	DESCRIPTION	CODE
	44		Regulator		10	15-20		Seat Pilot	
1	44-4		Adjusting Screw		11	15-21		Seat Spring	
2	44-2		Bonnet		12	15-26		Back Cap Washer	
3	44-9A		Diaphragm Assembly		13	15-3A		Body Screen	
4	15-15		Nozzle		14	15-25		Inlet	
5	44-1		Body		15	134-24		Inlet Nut	
6	134-27		Outlet Bushing		16	15-23	D-053	Diaphragm Washer	
7	257-2-14	D-067	Relief Valve		17	15-7		Spring	
8	15-16A	D-045	Seat Assembly		18	44-6		Spring Button	
9	15-3		Back Cap						

# Dockson

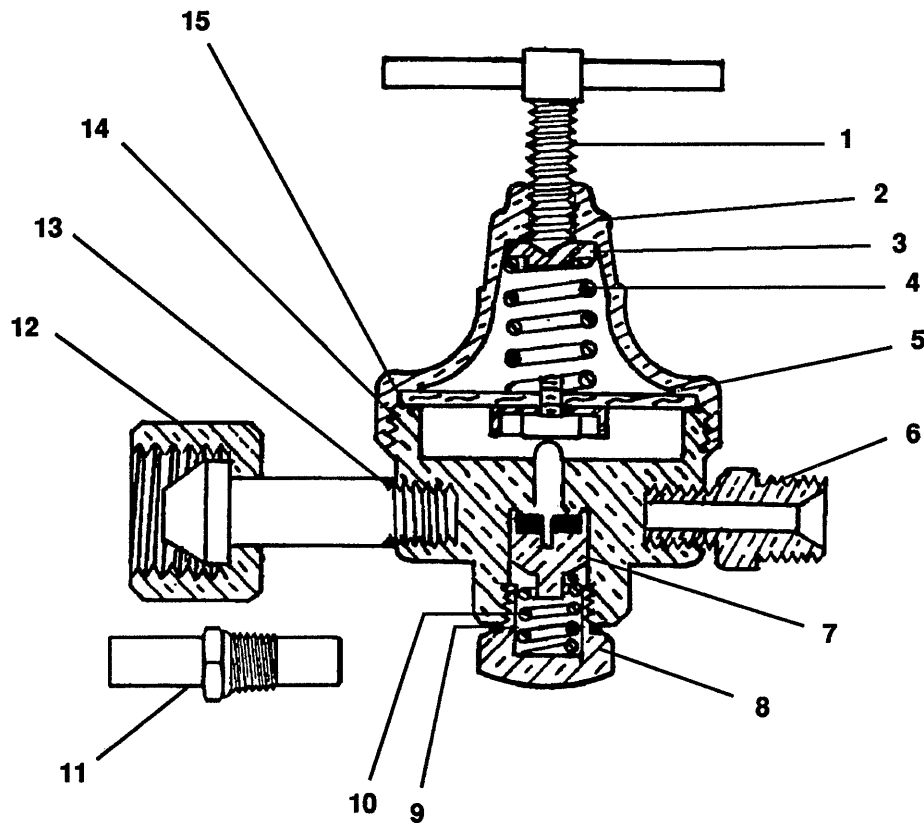
## Model 45 Regulator



REF. NO.	MFG. NO.	S-S NO.	DESCRIPTION	CODE	REF. NO.	MFG. NO.	S-S NO.	DESCRIPTION	CODE
	45		Regulator		8	45-16A		Seat Assembly	
1	45-4		Adjusting Screw		9	45-1		Body	
2	45-4L		Lock Nut		10	45-3R		Rear Inlet	
3	45-6		Spring Button		11	45-24		Screen	
4	45-7		Tension Spring		12	45-26		Back Cap Washer	
5	45-23		Diaphragm Washer		13	45-21		Seat Spring	
6	45-9A		Diaphragm Assembly		14	45-3S		Back Cap	
7	45-2		Bonnet		15	45-3A		Inlet Adapter	



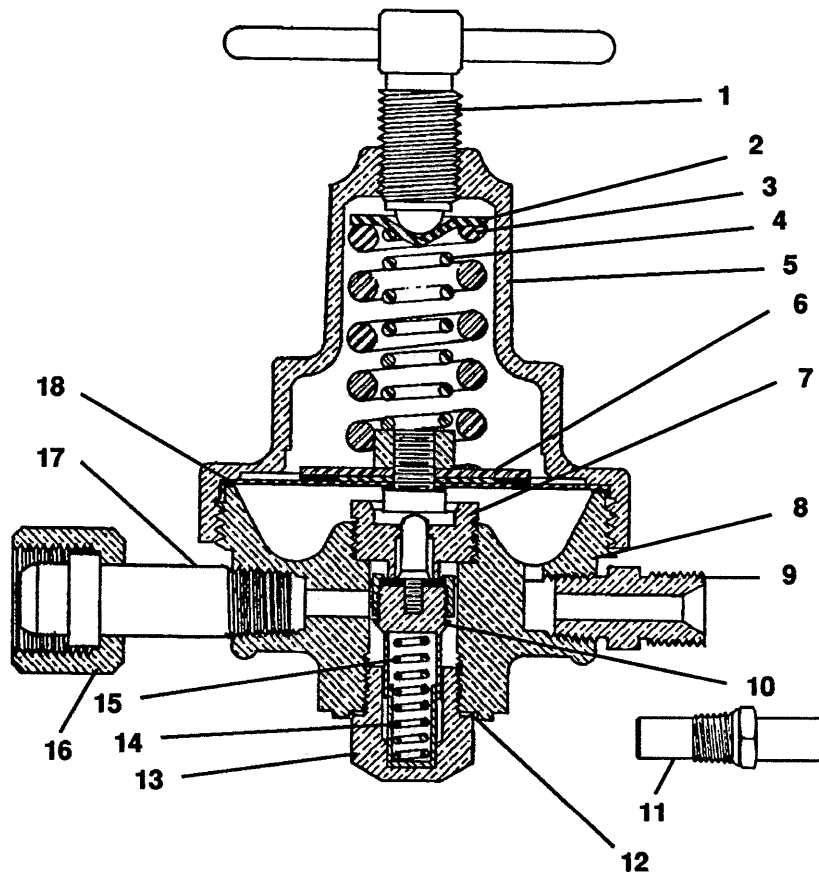
# Dockson Model 55 Regulator



REF. NO.	MFG. NO.	S-S NO.	DESCRIPTION	CODE	REF. NO.	MFG. NO.	S-S NO.	DESCRIPTION	CODE
	55		Regulator		8	55-3S		Back Cap	
1	55-4		Adjusting Screw		9	55-21	D-069	Seat Spring	
2	55-2		Bonnet		10	55-26		Back Cap Washer	
3	55-6		Spring Button		11	257-2-14	D-067	Relief Valve	
4	55-7		Spring		12	55-24		Inlet Nut	
5	55-9A	D-065	Diaphragm Assembly		13	55-25		Inlet	
6	55-27		Bushing		14	55-1		Body	
7	55-16A	D-068	Seat Assembly		15	55-23		Diaphragm Washer	

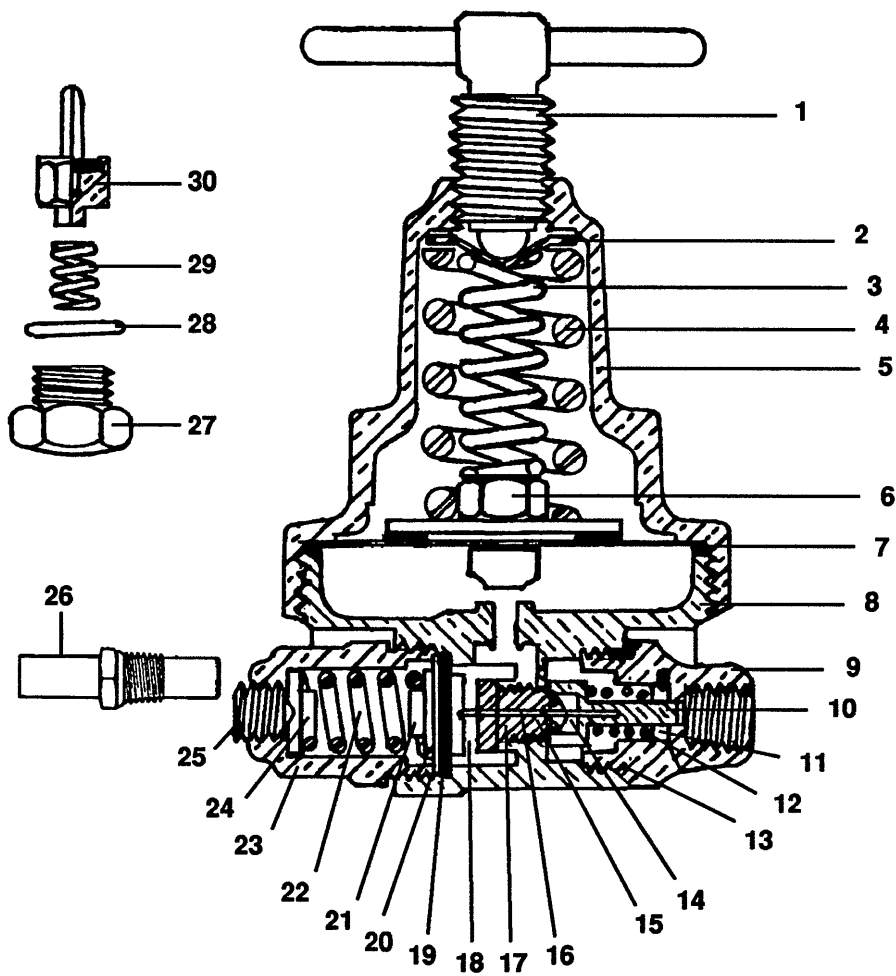
# Dockson

## Model 134 Regulator



REF. NO.	MFG. NO.	S-S NO.	DESCRIPTION	CODE	REF. NO.	MFG. NO.	S-S NO.	DESCRIPTION	CODE
	134		Regulator		10	15-16A	D-045	Seat Assembly	
1	134-4		Adjusting Screw		11	257-2-14	D-067	Relief Valve	
2	134-6		Spring Button		12	15-26		Back Cap Washer	
3	134-7		Outside Spring		13	15-3		Back Cap	
4	134-8		Inside Spring		14	15-20		Seat Pilot	
5	134-2		Bonnet		15	15-21		Seat Spring	
6	134-9A	D-088	Diaphragm Assembly		16	134-24		Inlet Nut	
7	134-15		Nozzle		17	134-25		Inlet	
8	134-1		Body		18	134-23	D-052	Diaphragm Washer	
9	134-27		Outlet Bushing						

# Dockson Model 257 Regulator



REF. NO.	MFG. NO.	S-S NO.	DESCRIPTION	CODE	REF. NO.	MFG. NO.	S-S NO.	DESCRIPTION	CODE
	257		Regulator		19	257-1-9	D-090	Diaphragm	
1	257-2-4		Adjusting Screw		20	257-1-23		Diaphragm Washer	
2	257-2-6		Spring Button		21	257-1-5		Diaphragm Plate	
3	257-2-8		Inside Spring		22	257-1-7		Spring	
4	257-2-7		Outside Spring		23	257-1-6		Spring Button	
5	257-2-2		Bonnet		24	257-1-2		Bonnet	
6	257-2-9A		Diaphragm Assembly		25	257-1-4		Adjusting Screw	
7	257-2-23		Diaphragm Washer		26	257-2-14	D-067	Relief Valve	
8	257-1		Body		27	257-2-3		Back Cap	
9	257-1-3		Back Cap		28	257-2-26		B. C. Washer	
10	257-1-19		Seat Holder (Specify Oxy. or Acety.)		29	257-2-21		Spring	
11	257-1-21		Spring		30	257-2-16A	D-102	Seat Assembly	
12	257-1-20		Seat Pilot						
			Inlet (Specify Type)						
			Inlet Nut (Specify Type)						
13	257-1-26		B. C. Washer						
14	257-1-16B		Seat (Specify Oxy. or Acety.)						
15	257-1-17		Seat Nut						
16	257-1-18		Pin (Specify Oxy. or Acety.)						
17	257-1-15		Nozzle (Specify Oxy. or Acety.)						
18	257-1-5A		Diaphragm Button						