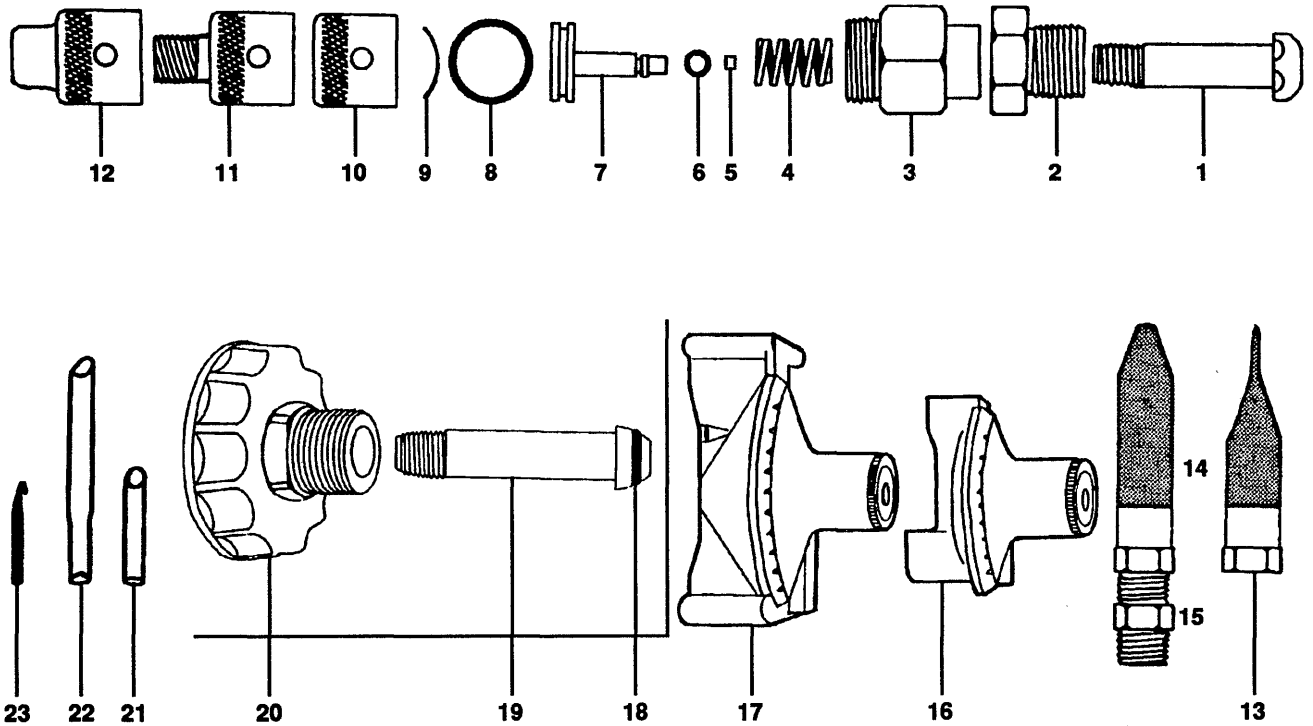


# Balloon Baron Balloon Regulator



REF. NO.	MFG. NO.	S-S NO.	DESCRIPTION	CODE	REF. NO.	MFG. NO.	S-S NO.	DESCRIPTION	CODE
1	1		Helium Nipple CGA 580		6	7		Small O-Ring (007)	
2	2		Helium Nut CGA 580		7	8		Stem	
3	3		Body		8	9		Large O-Ring (019)	
	3a		Body with Needle		9	9a		Wave Washer	
	3b		Body with Gauge Hole		10	10		End Cap	
	3c		Body with Gauge Hole and Needle		11	10a		End Cap with 1/4" MNPT	
4	5a		Spring 175 H-Helium		12	10b		End Cap with 1/4" FNPT	
	5b		Spring 160 H-Helium		13	4b		Foil Tilt Valve (also 105F)	
	5c		Spring 120 H-Helium		14	4		Tilt Valve (also-105)	
	5d		Spring 80 H-Helium		15	4a		Bushing	
	5e		Spring 60 H-Helium		16	19		Marshall 140 B.P. Regulator	
	5f		Spring 200 CO2-Carbon Dioxide			21		Threaded Needle	
	5g		Spring 170 CO2-Carbon Dioxide			22		Tapered Sleeve	
	5h		Spring 140 CO2-Carbon Dioxide			23		Threaded Nut	
	5i		Spring 125 CO2-Carbon Dioxide		17	18		Marshall 210 B.P. Regulator	
	5j		Spring 100 CO2-Carbon Dioxide		18	13		O-Ring (111)	
	5k		Spring 70 CO2-Carbon Dioxide		19	12		CGA580 Spin-on Nipple (also No. 181)	
	5l		Spring 50 CO2-Carbon Dioxide		20	11		CGA580 Spin-on Nut (also No. 180)	
	5m		Spring 30 CO2-Carbon Dioxide		21	14		Mylar Tip (short), 1-3/4"	
	5n		Spring 110 CO2-Carbon Dioxide		22	15		Mylar Tip (long and flat), 3-1/2"	
	5o		Spring 185 H Safety			16		100 Gas Saver Tube complete less push button valve	
	5p		Spring Mylar Automatic					Easy-Tie Needles (Press Fit Style)	
5	6		Teflon Seat		23	17			